



Zero Loss Demand Drain

External Pneumatic Operated Large Volume Condensate Drain

# Robo-Drain RD13



A fully automatic, large volume, zero loss drain that requires no electricity.

Translucent reservoir for visual assurance of operation.

Ideal for Oil/Water Separators.

## Features

Huge 72 oz. capacity  
Isolated trigger assembly

Non clogging  
Low profile  
Translucent reservoir

Full port drain valve  
Fully pneumatic  
Automatic design

**Made in the USA**

## Benefits

Designed for larger compressor installations  
Reliable design – unaffected by contaminants

Saves valuable air. Saves money  
Fits in tight spots

Easy-to-see condensate level  
“Quick check”

Handles scale and rust without clogging  
No electricity required  
Operates on demand

# Model No. RD13

## Specifications

Inlets: (2) 3/4" NPT

Outlet: 1/2" NPT

Power: Clean, Dry Compressed Air  
80 to 130 PSI

Pressure: 0 to 250 PSIG

Operating Temperature: 32° to 180° F.

Weight: 22 lbs.

Discharge: 72 ounces per cycle

Capacity: 6600 SCFM at aftercooler\*

\*Capacity may be more or less depending on application

## Materials

Reservoir: Aluminum and Composite

Valve: Bronze w/S.S. Ball and Stem

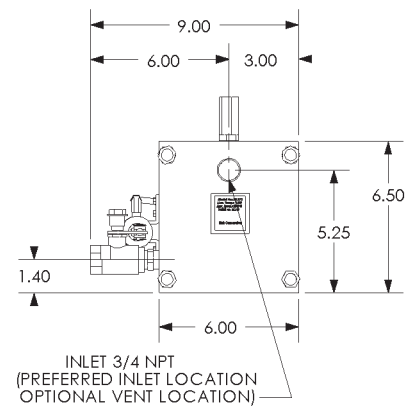
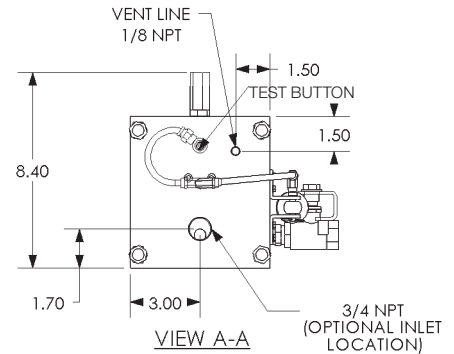
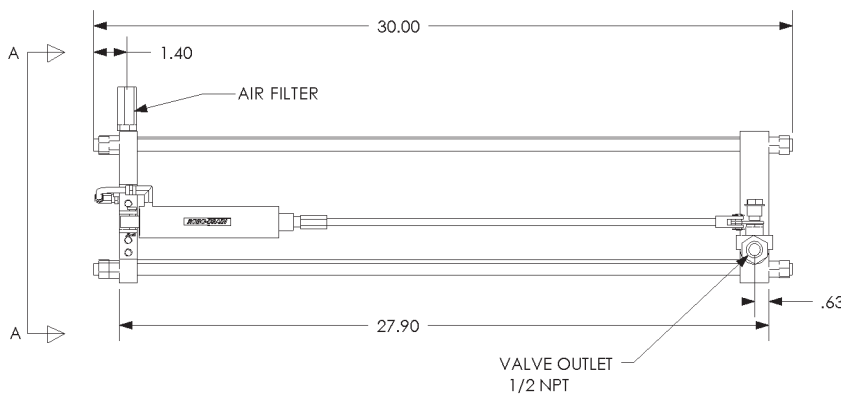
Float: Stainless Steel

Seat: Stainless Steel

Seal: Viton®\*

Consult factory for additional Options

## Dimensions



All design specifications are subject to change without notice.

\* Viton is a registered trademark of Dupont Dow Elastomers.