

## BF Series

Single Bag Housings: #1, #2, #3 and #4 sizes



- Designed for industrial and commercial filter applications
- Heavy duty construction for maximum durability
- 1/8" perforated stainless steel basket (optional perforations and mesh sizes available)
- #1 and #2 Size Housings:
  - Available in 316L Stainless Steel, 304L Stainless Steel or Carbon Steel construction for a wide range of chemical compatibility
  - Clamp or Swing Bolt closures
  - Stainless steel compression spring provides positive bag sealing
  - Adjustable stainless steel leg assembly
  - 1/4" FNPT gauge ports and 1/2" FNPT drain port
- #3 and #4 Size Housings:
  - 316 Stainless Steel construction
  - Clamp closure for easy bag change outs
  - Optional compression spring and adjustable mounting legs

### Applications

Water	Chemicals
Food & Beverage	Electronics
Oil	Inks / Paints / Coatings
Coolants	Pulp & Paper

### Specifications & Operating Parameters

#### Maximum Operating Pressure

150 psig (10.3 bar) @ 300°F (149°C)

#### Connections

Inlet /Outlet:

2" FNPT (#1 and #2 Sizes)

3/4", 1" and 1 1/2" FNPT (#3 and #4 Sizes)

Optional: RF Flanges or Sanitary Ferrules

Drain Port: 1/2" FNPT (#1 and #2 Sizes)

Gauge Ports: 1/4" FNPT - clean and dirty sides (#1 and #2 sizes)

Vent Port: 1/4" NPT Plug

#### Gaskets

Buna N

Optional: EPR, Silicone, Teflon Encapsulated Silicone, Viton

#### Baskets

1/8" perforated stainless steel

Options: various perforation and mesh sizes

#### Materials of Construction

Head / Shell:

#1 and #2 Sizes

316L Stainless Steel, 304L Stainless Steel, Carbon Steel

#3 and #4 Sizes

316L Stainless Steel

Eye Nuts: Zinc plated steel

Mounting Legs: 304L Stainless Steel

#### Options

- Side Inlet / Side Outlet (#1 and #2 sizes)

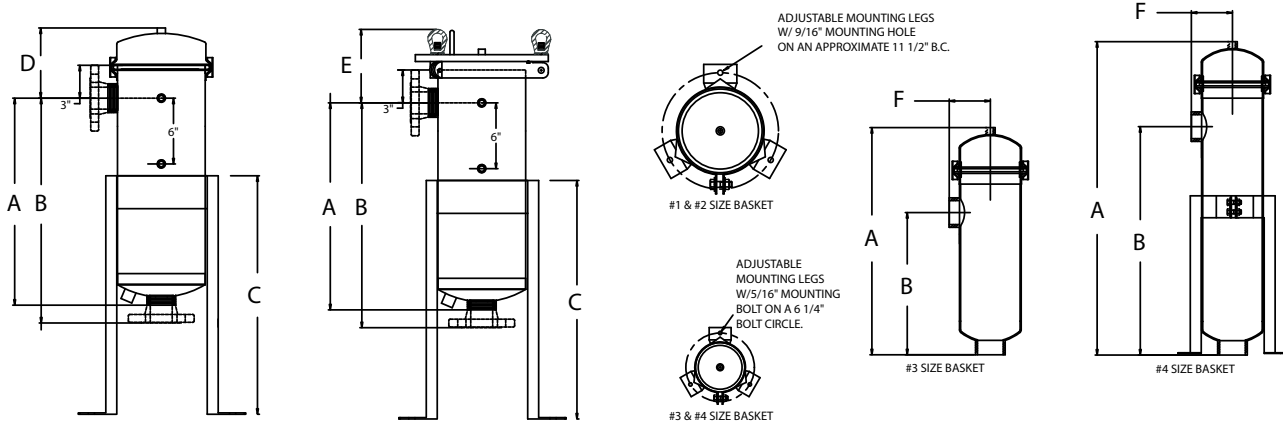
- 134 epoxy coating for seawater and corrosive applications

See ordering guide for complete selection of options

MODEL AND BAG SIZE	CLOSURE	MAX FLOW RATE* GPM (LPM)	DRAIN SIZE	DIMENSIONS					
				A	B	C	D	E	F
BFS-1 / BFC-1	Clamp or Swing Bolt	70 (265)	1/2"	18 7/8" (47.9 cm)	20 1/2" (52.1 cm)	21 3/4" (55.2 cm)	3" (7.6 cm)	6 11/16" (17.0 cm)	3" (7.6 cm)
BFS-2 / BFC-2	Clamp or Swing Bolt	150 (567)	1/2"	34 7/8" (88.6 cm)	22 3/4" (92.7 cm)	21 3/4" (55.2 cm)	3" (7.6 cm)	6 11/16" (17.0 cm)	3" (7.6 cm)
BFS-3	Clamp	25 (95)		16 9/16" (42.1 cm)	10 3/8" (26.4 cm)				
BFS-4	Clamp	40 (151)		22 7/8" (58.1 cm)	16 11/16" (42.4 cm)				

\*Flow rates are guidelines only. Actual flow rates are based upon fluid, viscosity, bag type, micron ratings and other factors

## Dimensions



## Ordering Guide (Example: BFS-2SB-2-316-B)

BFS - 2		SB - 2		- 316		- B	
MODEL	BAG SIZE	CLOSURE	PIPE SIZE	MATERIAL	CONNECTION ORIENTATION	GASKET	
<b>#1 and #2 Sizes</b>							
BFS = Stainless Steel BFC = Carbon Steel	1 2	C = Clamp SB = Swing Bolt	2 = 2" FNPT (standard) 2F = 2" RF Flange 3 = 3" FNPT 3F = 3" RF Flange 2TC = 2" Sanitary Ferrules	304 = 304 SS 316 = 316 SS 134 = 134 Coating over 304 SS*	Blank = Side In / Bottom Out 2 = Side In / Side Out	B = Buna N (Standard) E = EPR S = Silicone V = Viton	
<b>#3 and #4 Sizes</b>							
BFS = Stainless Steel	3 4	C = Clamp	75 = 3/4" FNPT 1 = 1" RF Flange 1.5 = 1 1/2" FNPT (standard)	316 = 316 SS	Blank = Side In / Bottom Out 2 = Side In / Side Out (Hold Down Spring Recommended)	B = Buna N (Standard) E = EPR S = Silicone V = Viton	

\* Note: 134 Coating must have swing bolt closure and flanged connections.

## Customization

Housings may be customized to meet your precise requirements. Contact Shelco's technical support staff or your distributor for more information.

