



Fil-Trek



BMB SERIES

Multi-Bag Filter Housing
ASME Design/Industrial Design
Universal



Water



Desalination



Chemicals



Electronics



Oil/Gas



Air/Gas



Inks/Paints/ Coatings



Power



Coolants



Pulp & Paper

BMB SERIES Multi-Bag Filter Housings

- Multi-purpose industrial design non-code and ASME "U" code housings.
- Accepts multiple double length bags.
- 150psig (10.3bar) @ 250°F(121.1°C) design pressure.
- Vessels available in carbon or stainless steel 304 or 316.
- Also available in LDX2101, C276, AL6XN, RA2205 & Monel 400.
- BMB housings allow for easy filter bag removal and do not require ladders or platforms to change the filter bags.
- Swing bolt closure allows for quick bag change out.

BMB SERIES

Multi-Bag Filter Housing
ASME Design/Industrial Design
Universal

Housing Specifications

Inlet/Outlet
2" Flange - 18" Flange

Dirty Drain
1/2" NPT

Clean Drain
2" NPT

Vent
1/2" NPT

Gauges
1/2" NPT

Basket
1/8" on 3/16" perforated plate
*Other basket options available.

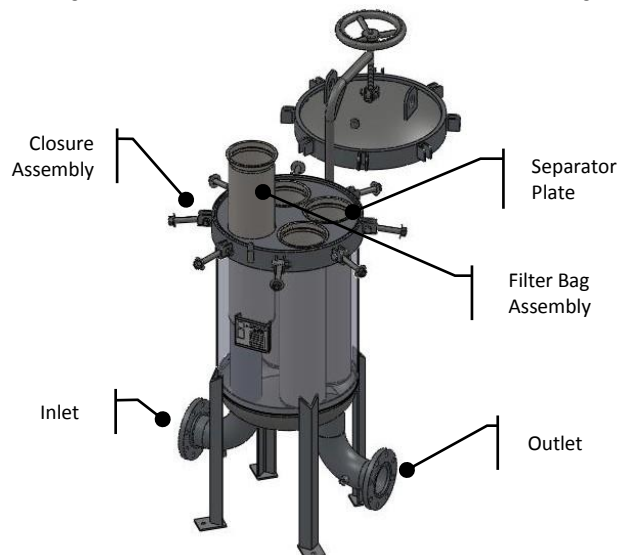
Certifications

U
UM
CE
NB
CRN

MODEL FLOW RATES

MODEL	# OF BAGS	FLOW RATE - GPM	STD INLET/OUTLET (IN)
BMB16	2	250	4"
BMB18	3	375	4"
BMB20	4	500	4"
BMB22	4	500	6"
BMB24	6	750	6"
BMB26	7	800	6"
BMB28	7	875	8"
BMB30	8	1000	8"
BMB32	10	1250	8"
BMB34	12	1375	8"
BMB36	12	1500	10"
BMB38	15	1875	10"
BMB40	17	2125	10"
BMB42	18	2250	12"
BMB44	19	2375	12"
BMB46	23	3125	12"
BMB48	25	3250	14"
BMB50	28	3500	14"
BMB52	31	3875	14"
BMB54	32	3875	14"
BMB56	35	4375	16"
BMB58	38	4750	16"
BMB60	39	4875	18"

Flow rates are based on water at 125gpm per bag, using 10 micron single layer filter bags with a clean pressure drop of 2psi. When operating using baskets only, each basket can flow up to 200gpm. Actual flow rates are dependent on fluid viscosity, bag micron rating, type of filter bag, and contaminant. Please contact Fil-Trek for assistance with sizing.



MATERIAL OF CONSTRUCTION	MAX. OPERATING PRESSURE (PSI @250°F)	MAX. DESIGN TEMP
CARBON STEEL	150 psi (10.3bar)	300°F (150°C)
304 STAINLESS STEEL	150 psi (10.3bar)	300°F (150°C)
316 STAINLESS STEEL	150 psi (10.3bar)	300°F (150°C)

MODEL DIMENSIONAL DETAILS

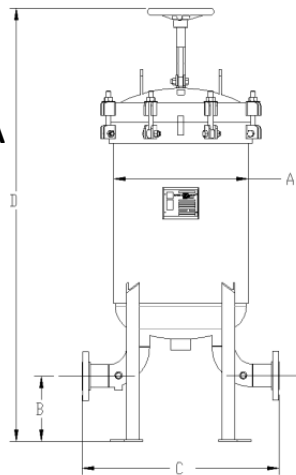
MODEL	SHIPPING WEIGHT (LBS)	A	B	C	D
**BMB16	330	16"	8"	28"	64"
BMB18	360	18"	8"	28"	64"
BMB20	410	20"	8"	32"	64"
BMB22	475	22"	9"	36"	66"
BMB24	560	24"	9"	40"	73"
BMB26	600	26"	9"	42"	75"
BMB28	650	28"	10"	44"	75"
BMB30	700	30"	11"	49"	77"
BMB32	810	32"	11"	50"	78"
BMB34	950	34"	11"	52"	78"
BMB36	1000	36"	11"	54"	78"
BMB38	1100	38"	12"	56"	78"
BMB40	1225	40"	12"	58"	80"
BMB42	1350	42"	12"	60"	82"
BMB44	1425	44"	12"	60"	84"
BMB46	1600	46"	12"	62"	86"
BMB48	1750	48"	14"	64"	88"
BMB50	1900	50"	14"	64"	90"
BMB52	2100	52"	14"	64"	92"
BMB54	2200	54"	16"	75"	94"
BMB56	2450	56"	16"	75"	96"
BMB58	2700	58"	16"	75"	98"
BMB60	2950	60"	18"	75"	100"

Dimensions above are based on standard configuration 'A'. Contact factory for weights and dimensions for all other model configurations

REFERENCE CHART LEGEND

A	OUTSIDE DIAMETER
B	FLOOR TO INLET
C	FACE TO FACE
D	OVERALL HEIGHT

STYLE A



HOUSING OPTIONS

Configuration Options

- (-) – A – Side in/side out (standard)
- B – In-Line
- C – Side in/Bottom out
- D – Side in/Side out, Same Side

Basket Options

- (-) – 1/8" on 3/16" perforated basket (standard)
- MB__ - Mesh lined basket (insert mesh size in open space)

Finish Options

- (-) – External paint "National Blue" (Standard for carbon steel housings)
- (-) – Bead Blast (standard for stainless steel 304 and 316)
- EP1 – Electro polish Inside/Outside
- EP2 – Inside only
- EP3 – Outside only
- PP – Passivation

O-Ring Options

- (-) – Buna-N (standard)
- ED – EPDM
- VI – Viton
- SI – Silicone
- TEV – Teflon encapsulated Viton

Head Lift Options

- (-) – K1 – Head lift (standard 18" +)
- K2 – Hinge (standard 16")
- K3 – Hydraulic Jack Davit Side
- K4 – Hydraulic Jack Davit Top

Bag/Basket Seal Options

- (-) – Level separator plate (standard)
- DS – "Dual Seal" recessed machined separator plate

Accessories

- Direct Reading Gauge
- DP Gauge
- Safety Relief Valves
- Vent Valves
- Drain Valves
- Air Eliminator
- Omega Springs
- Balloon/Liquid Displacer
- Bag Magnets

PRODUCT NOMENCLATURE

S6	BMB	18	3	12	6F	-	-	-	-	-	-
MATERIAL	MODEL	HOUSING DIAMETER	# OF BASKETS	BASKET LENGTH	CONNECTION TYPE	HOUSING CONFIG	BASKET	FINISH	O-RING	HEAD LIFT	BAG SEAL
(-) – CARBON	BMB – ASME CODE	SEE TABLE	SEE TABLE	12 – SIZE 2	SEE TABLE						
S4 – SS304	EBMB – NON ASME	SEE TABLE	SEE TABLE								
S6 – SS316											

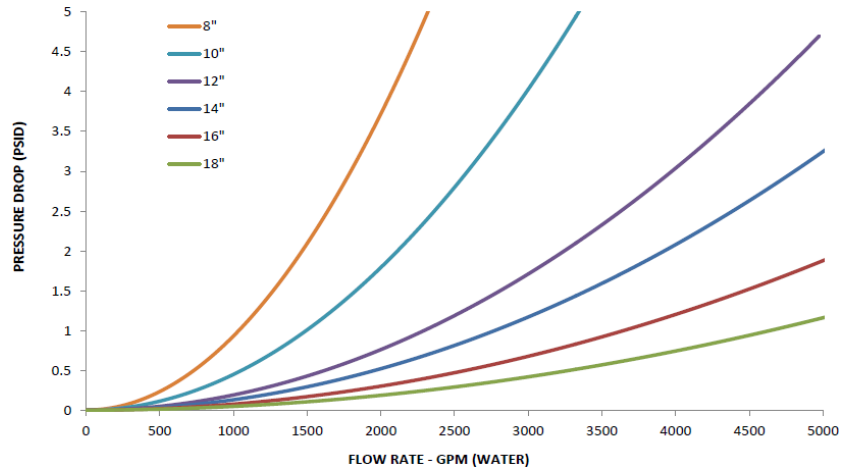
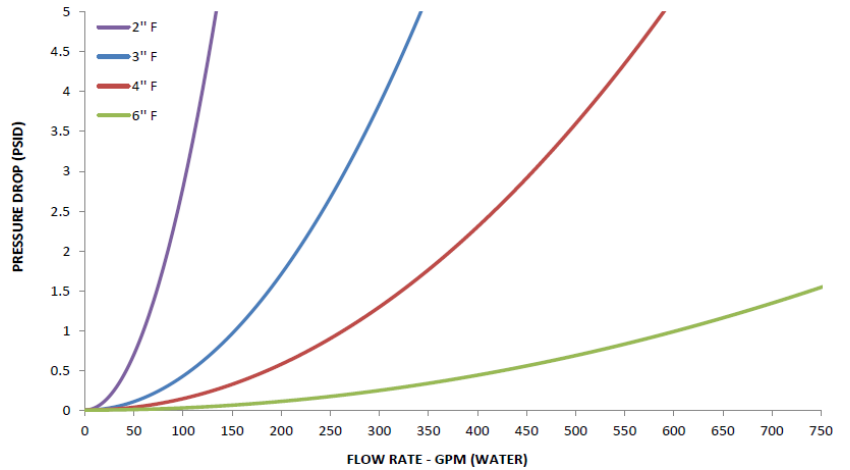
NOTE: The BMB series in an ASME code stamped housing. This vessel is also available in an industrial non-code design.

For non-code, add the prefix "E" to the BMB in the part number.

BMB SERIES

Multi-Bag Filter Housing
ASME Design/Industrial Design
Universal

FLOW CHART



ISC Sales

ISCSales.com
ISCInfo@ISCSales.com

877-602-0010
972-964-2700

4421 Tradition Trail
Plano, TX 75093