



Fil-Trek



FRP SERIES

Fibreglass Reinforced Plastic
Cartridge Filter Housing
Universal



Water



Desalination



Chemicals



Electronics



Oil/Gas



Air/Gas



Inks/Paints/ Coatings



Power



Coolants



Pulp & Paper

FRP SERIES Fibreglass Reinforced Plastic Cartridge Filter Housings

- Up to 150psig (6.9bar) @ 200°F(93.3°C) standard design pressure with a safety factor of 4 (ASME design available for select models, call for information).
- Accepts multiple 30", 40", 50" or 60" cartridges.
- Steel components available in stainless steel 304 or 316 for models above FRP30.
- Housings accepts industry standard double open end style cartridges.
- Models can be designed to accept single open end cartridges.
- Swing bolt closure allows for quick element change out.
- Vessel material has a longer life expectancy when dealing with corrosive liquids, such as; sea water and brackish water.

FRP SERIES

Fibreglass Reinforced Plastic
Cartridge Filter Housing
Universal

HOUSING SPECIFICATIONS

Inlet/Outlet
1" Flange - 18" Flange

Dirty Drain
2" Flanged

Clean Drain
2" Flanged

Vent
1"-2" Flanged

Body Material
FRP – Fibreglass Reinforced
Plastic (vinyl-ester resin)

External Finishing
Blue Exterior Paint
Custom Paint Available

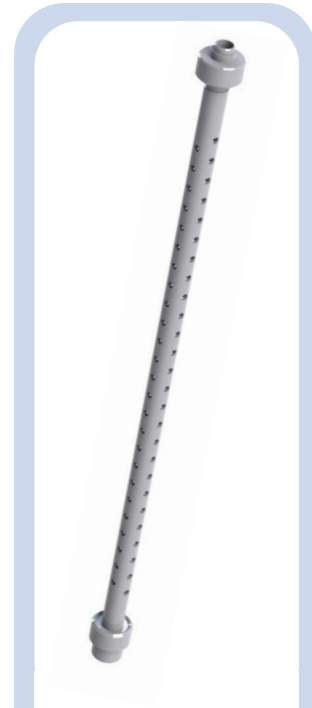
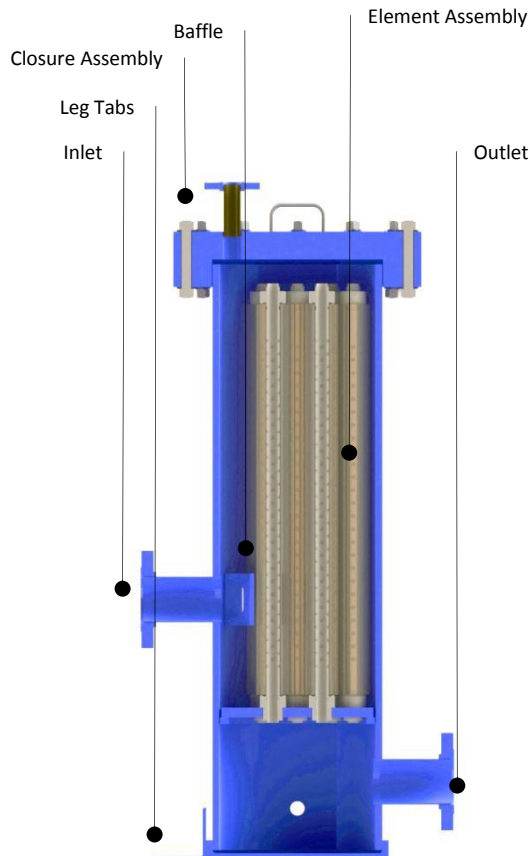
FRP08 to FRP24

MODEL FLOW RATES

MODEL	# OF FILTERS	MAX FLOW RATE (GPM)
FRP08-005-4-3F	5	200
FRP10-008-4-3F	8	160
FRP12-012-4-4F	12	240
FRP14-018-4-4F	18	360
FRP16-023-4-6F	23	460
FRP18-030-4-6F	30	600
FRP20-037-4-6F	37	740
FRP24-056-4-8F	56	1120

Flow rates based on water at 5gpm/10" (assuming 40" cartridges). Actual Flow rate is dependent on fluid viscosity, cartridge micron rating, contaminant and type of media.

INTERNAL DETAILS



The internal PVC post is perforated to allow for even liquid distribution amongst the entire filter cartridge length. The top seat and bottom cup are also made of PVC.

MATERIAL OF CONSTRUCTION

MAX. OPERATING PRESSURE (PSI @250°F)

MAX. DESIGN TEMP

304 STAINLESS STEEL

100 psi (10.3bar)

150°F

316 STAINLESS STEEL

100 psi (10.3bar)

150°F

**150 psi also available if required

FRP08 to FRP24

MODEL DIMENSIONAL DETAILS

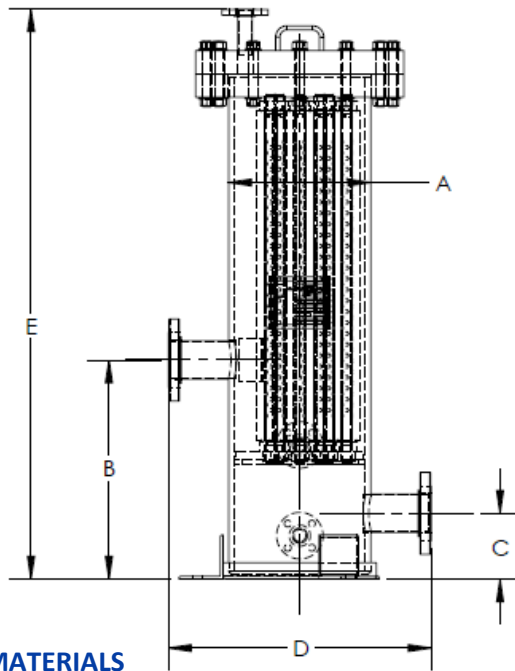
MODEL	SHIPPING WEIGHT (LBS)	A	B	C	D	E
FRP08-005-4-3F	125	9"	20"	6"	20"	62 1/16"
FRP10-008-4-3F	155	11"	20"	6"	22"	62 1/16"
FRP12-012-4-4F	230	13"	20"	6"	24"	62 1/16"
FRP14-018-4-4F	265	15"	18"	6"	28"	59 7/8"
FRP16-023-4-6F	280	17"	18"	6"	28"	60 7/8"
FRP18-030-4-6F	300	18 1/2"	20"	8"	30"	64 1/16"
FRP20-037-4-6F	320	20 1/2"	20"	8"	32"	65 1/16"
FRP24-056-4-8F	340	24 1/2"	20"	8"	36"	65 1/16"

REFERENCE CHART LEGEND

A	OUTSIDE DIAMETER
B	FLOOR TO INLET
C	FLOOR TO OUTLET
D	FACE TO FACE
E	OVERALL HEIGHT

STANDARD FRP08-FRP24 COMPLETE WITH:

- SS304 external steel components
- SS304/B7 bolting
- Thru-bolt design
- Tabbed legs



FRP COMPARED TO ALTERNATE MATERIALS

FRP vs. SS316

FRP has a higher resistance to sea water.

FRP vs. Lined Vessels

No risk of damaging lining with an FRP Vessel.

FRP vs. Duplex Steel

FRP is a much more cost effective option.

HOUSING OPTIONS

Configuration Options

A – Side in/side out (standard)

O-Ring Options

(-) – Buna-N (standard)

ED – EPDM

VI – Viton

SI – Silicone

Leg Options

LT – Leg Tabs (standard)

Head Lift Options

Handles (standard)

Filter Configuration

E1 – Double Open End (standard)

External Steel Attachments:

ATS4 – SS304 (standard)

ATS6 – SS316

Bolting Options:

B1 – B7 Bolting (standard)

B3 – B8 Bolting

B4 – B8M Xylan Coated

Other Options

Skid Mounting

Duplexing

Accessories

Direct Reading Gauge

DP Gauge

Safety Relief Valves

Vent Valves

Drain Valves

Air Eliminator

PRODUCT NOMENCLATURE

FRP	18	30	4	6F	-	-	-	-	-	-
MODEL	HOUSING DIAMETER	# OF FILTERS	LENGTH	CONNECTION TYPE	O-RING	LEGS	HEAD LIFT	FILTER CONFIG	EXTERNAL ATTACHMENTS	BOLTING
FRP ASME CODE	SEE	SEE	3 – 30	SEE						
	TABLE	TABLE	4 – 40	TABLE						
			5 – 50							
			6 – 60							

SEE SIDE PANEL FOR OPTIONS

FRP SERIES

Fibreglass Reinforced Plastic
Cartridge Filter Housing
Universal

HOUSING SPECIFICATIONS

Inlet/Outlet

1" Flange - 18" Flange

Dirty Drain

2" Flanged

Clean Drain

2" Flanged

Vent

1"-2" Flanged

Body Material

FRP – Fibreglass Reinforced
Plastic (vinyl-ester resin)

External Finishing

Blue Exterior Paint
Custom Paint Available

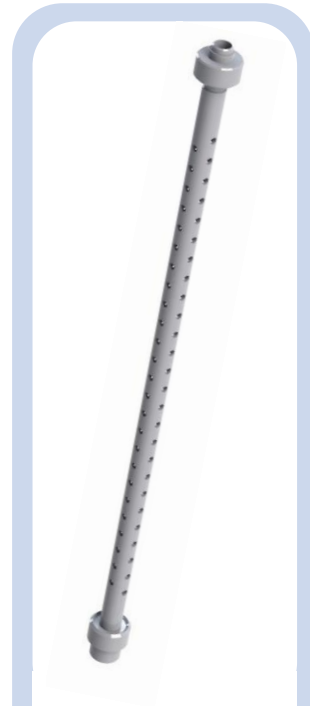
FRP30 to FRP60

MODEL FLOW RATES

MODEL	# OF FILTERS	MAX FLOW RATE (GPM)
FRP30-085-4-10F	85	1700
FRP36-132-4-12F	132	2640
FRP42-185-4-14F	185	3700
FRP48-250-4-16F	250	5000
FRP54-320-4-18F	320	6400
FRP60-400-4-20F	400	8000

Flow rates based on water at 5gpm/10" (assuming 40" cartridges). Actual Flow rate is dependent on fluid viscosity, cartridge micron rating, contaminant and type of media.

INTERNAL DETAILS



The internal PVC post is perforated to allow for even liquid distribution amongst the entire filter cartridge length. The top seat and bottom cup are also made of PVC.

MATERIAL OF CONSTRUCTION

MAX. OPERATING PRESSURE (PSI @250°F)

MAX. DESIGN TEMP

304 STAINLESS STEEL

100 psi (10.3bar)

150°F

316 STAINLESS STEEL

100 psi (10.3bar)

150°F

**150 psi also available if required

FRP30 to FRP60

MODEL DIMENSIONAL DETAILS

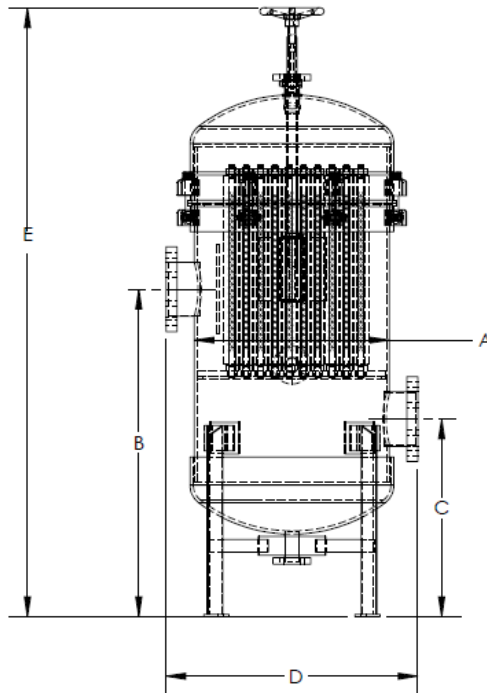
MODEL	SHIPPING WEIGHT (LBS)	A	B	C	D	E
FRP30-085-4-10F	560	32"	52"	31 3/8"	40"	102 1/8"
FRP36-132-4-12F	700	38"	64"	34"	48"	110"
FRP42-185-4-14F	1260	44"	68"	38"	54"	116"
FRP48-250-4-16F	1750	50"	70"	40"	70"	122"
FRP54-320-4-18F	3220	56"	72"	44"	76"	130"
FRP60-400-4-20F	5040	62"	74"	46"	82"	138"

REFERENCE CHART LEGEND

A	OUTSIDE DIAMETER
B	FLOOR TO INLET
C	FLOOR TO OUTLET
D	FACE TO FACE
E	OVERALL HEIGHT

STANDARD FRP30-FRP60 COMPLETE WITH:

- SS304 external steel components
- SS304/B7 bolting
- Head lift
- Legs



HOUSING OPTIONS

Configuration Options

A – Side in/side out (standard)

O-Ring Options

(-) – Buna-N (standard)
ED – EPDM
VI – Viton
SI – Silicone

Head Lift Options

(-) – K1 – Head lift (standard)
K3 – Hydraulic Jack Davit Side

Filter Configuration

E1 – Double Open End (standard)

External Steel Attachments:

ATS4 – SS304 (standard)
ATS6 – SS316

Bolting Options:

B1 – B7 Bolting (standard)
B3 – B8 Bolting
B4 – B8M Xylan Coated

Other Options

Skid Mounting
Duplexing

Accessories

Direct Reading Gauge
DP Gauge
Safety Relief Valves
Vent Valves
Drain Valves
Air Eliminator

FRP COMPARED TO ALTERNATE MATERIALS

FRP vs. SS316

FRP has a higher resistance to sea water.

FRP vs. Lined Vessels

No risk of damaging lining with an FRP Vessel.

FRP vs. Duplex Steel

FRP is a much more cost effective option.

PRODUCT NOMENCLATURE

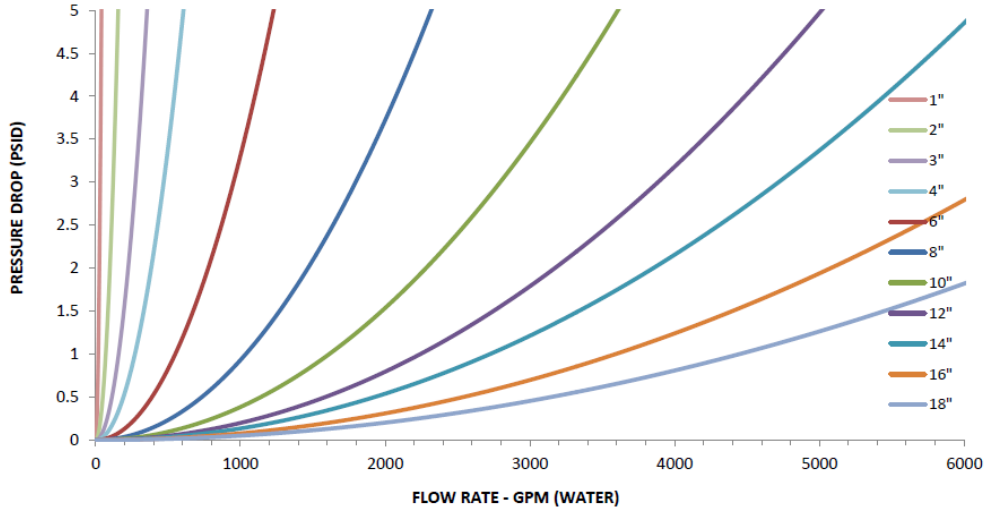
FRP	48	250	4	16F	-	-	-	-	-
MODEL	HOUSING DIAMETER	# OF FILTERS	LENGTH	CONNECTION TYPE	O-RING	HEAD LIFT	FILTER CONFIG	EXTERNAL ATTACHMENTS	BOLTING
FRP ASME CODE	SEE	SEE	3 – 30	SEE					
	TABLE	TABLE	4 – 40	TABLE					
			5 – 50						
			6 – 60						

SEE SIDE PANEL FOR
OPTIONS

FRP SERIES

Fibreglass Reinforced Plastic
Cartridge Filter Housing
Universal

FLOW CHART



ISC Sales

ISCSales.com
ISCInfo@ISCSales.com

877-602-0010
972-964-2700

4421 Tradition Trail
Plano, TX 75093