



LM SERIES

Single Cartridge Filter
Housing
Polished Stainless Steel 316



Water



Desalination



Chemicals



Electronics



Oil/Gas



Air/Gas



Inks/Paints/ Coatings



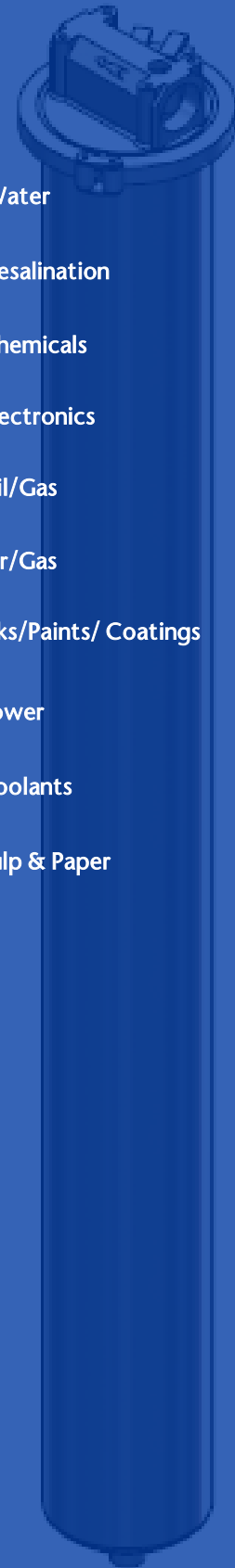
Power



Coolants



Pulp & Paper



LM SERIES

Polished Single Cartridge Housing

- Accepts one (1) 10", 20", 30" or 40" cartridge.
- 150psig (10.3bar) @ 250°F(121.1°C) design pressure.
- Vessels available stainless steel 316.
- Housings accept industry standard double open end style cartridges.
- Band clamp closure allows for quick element change out.

LM SERIES

Single Cartridge Filter
Housing

Polished Stainless Steel 316

Housing Specifications:

Inlet/Outlet
1" NPT

Dirty Drain
1/4" NPT

Clean Drain
1/4" NPT

Vent
1/4" NPT

Gauges
1/4" NPT

Element Selection
E1: Double Open End

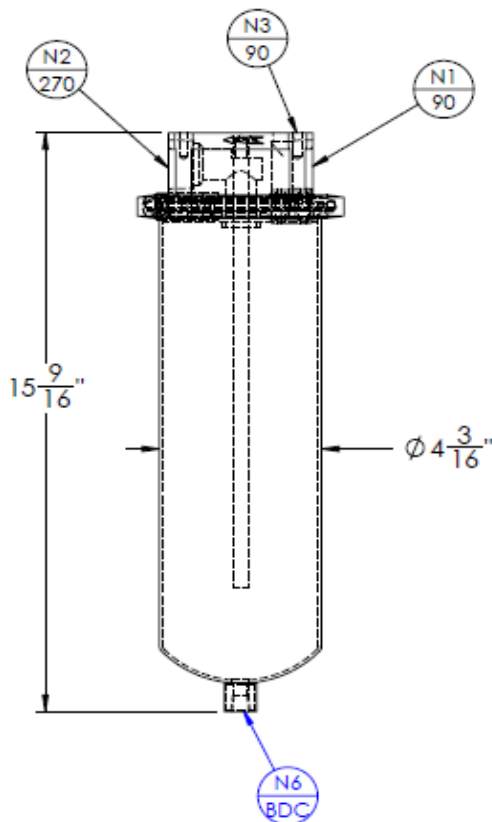
MECHANICAL SPECIFICATIONS

MODEL	# OF 2.5" FILTERS	FLOW RATE-GPM (2.5" FILTERS)	MAX INLET/OUTLET (IN)
S6LM01-1-1P	1	5	1"
S6LM01-2-1P	1	10	1"
S6LM01-3-1P	1	15	1"
S6LM01-4-1P	1	20	1"

Flow rates based on water at 5gpm/10" (Assuming 40" cartridges). Actual Flow rate is dependent on fluid viscosity, cartridge micron rating, contaminant and type of media.

MATERIAL OF CONSTRUCTION	MAX. OPERATING PRESSURE (PSI @250°F)	MAX. DESIGN TEMP
316 STAINLESS STEEL	150 psi (10.3bar)	400°F (204°C)

*For more options contact factory.



ORDERING INFORMATION

MODEL	SHIPPING WEIGHT (LBS)	OVERALL HEIGHT	OVERALL DIAMETER
S6LM01-1-1P	8	15 9/16"	4 3/16"
S6LM01-2-1P	12	25 9/16"	4 3/16"
S6LM01-3-1P	16	35 9/16"	4 3/16"
S6LM01-4-1P	20	45 9/16"	4 3/16"

FIL-TREK PRODUCT NOMENCLATURE

MATERIAL	MODEL	# OF CARTRIDGES	LENGTH OF CARTRIDGES	SIZE OF INLET/OUTLET
S6 - SS 316	LM	SEE TABLE	10"	SEE TABLE
			20"	(NPT)
			30"	
			40"	



ISC Sales

ISCSales.com

ISCInfo@ISCSales.com

877-602-0010

972-964-2700

4421 Tradition Trail
Plano, TX 75093