



Fil-Trek

MP SERIES

Membrane Protection Series
ASME Design
Universal



Water



Desalination



Chemicals



Electronics



Oil/Gas



Air/Gas



Inks/Paints/ Coatings



Power



Coolants



Pulp & Paper

MP SERIES Membrane Protection Housings

FEATURES:

- Multi-purpose industrial ASME "U" & "UM" code housings.
- Equivalent of Parker Fulflo MP housings.
- Accepts multiple 30" or 40" cartridges.
- 150psig (10.3bar) @ 250°F(121.1°C) design pressure.
- Vessels available in stainless steel 304 or 316 (LDX2101, C276, AL6XN, RA2205 & Monel 400 also available).
- Bead blasted exterior and passivated interior/exterior surfaces to help prevent corrosion.
- Multi-purpose filter seat cups accept industry standard double open end and 222 style cartridges.
- Swing bolt closure allows for quick element change out.
- Stainless steel 304 bolting and davit standard.

TYPICAL APPLICATIONS

- De-ionized Water
- Brackish & Sea Water
- RO Prefiltering
- Electronic Rinse Water
- Semiconductor Process Water
- Potable Water
- Boiler Feed Water

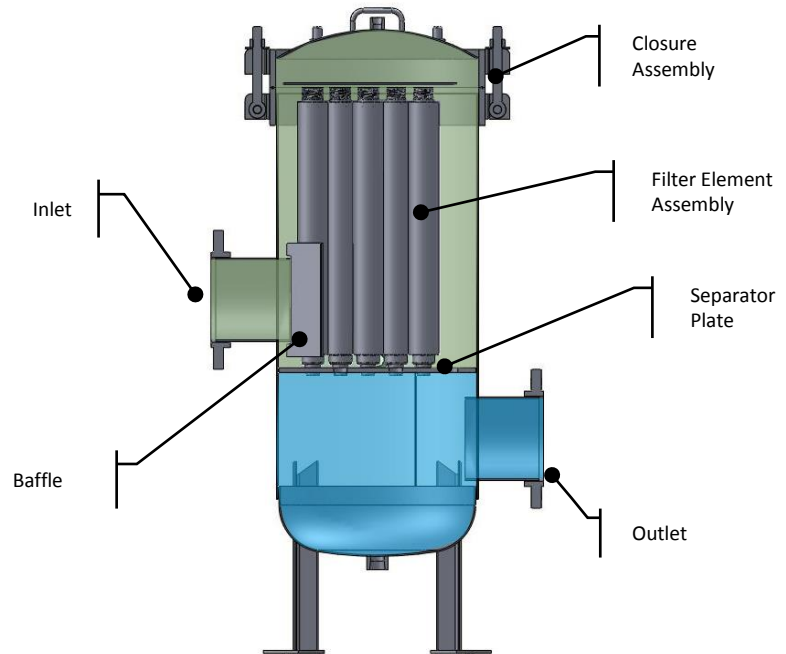
MP SERIES

Membrane Protection Series
ASME Design
Universal

MODEL FLOW RATES

MODEL	# OF FILTERS 2.5"	FLOW RATE-GPM 2.5"	MAX INLET/OUTLET
MP12	12	240	4"
MP14	14	280	4"
MP17	17	340	4"
MP21	21	400	6"
MP29	29	580	6"
MP35	35	680	6"
MP40	40	840	8"
MP52	52	1060	8"
MP62	62	1240	8"
MP70	70	1400	10"
MP86	86	1740	10"
MP103	103	2060	10"
MP110	110	2200	12"
MP118	118	2520	12"
MP140	140	2800	14"
MP150	150	3000	14"
MP176	176	3560	14"
MP190	190	3800	16"
MP205	205	4100	16"
MP225	225	4500	16"
MP245	245	4900	18"

Flow rates based on water at 5gpm/10" (Assuming 40" Cartridges). Actual Flow rate is dependent on fluid viscosity, cartridge micron rating, contaminant and type of media.



MATERIAL OF CONSTRUCTION

MAX. OPERATING PRESSURE (PSI @250°F)

MAX. DESIGN TEMP

304 STAINLESS STEEL

150 psi (10.3bar)

300°F (150°C)

316 STAINLESS STEEL

150 psi (10.3bar)

300°F (150°C)

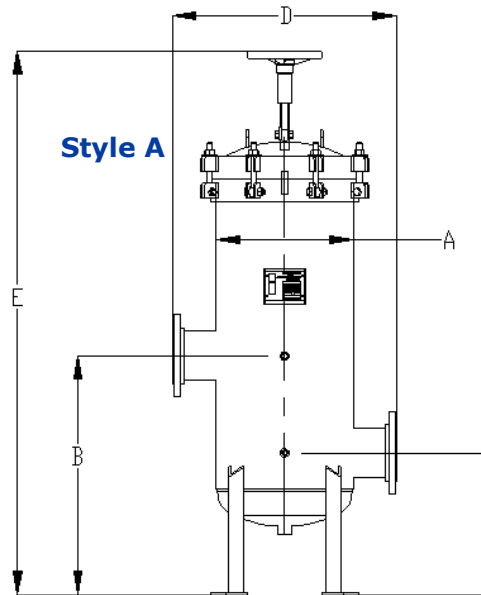
MODEL DIMENSIONAL DETAILS

MODEL	SHIPPING WEIGHT (LBS)	A	B	C	D	E
MP12-4-3F	240	12.5	26"	16"	21	79"
MP14-4-3F	280	13 1/8"	26"	16"	21"	79"
MP17-4-4F	340	14 3/8"	26"	16"	23"	79"
MP21-4-6F	400	16 3/8"	28"	17"	27"	81"
MP29-4-6F	580	18 1/2"	32"	19"	30"	83"
MP35-4-6/8F	680	20 1/2"	33"	20"	32"	86"
MP40-4-8F	840	22 1/2"	34"	20"	33"	86"
MP52-4-8F	1060	24.5	35"	22"	35"	89"
MP62-4-8F	1240	26 1/2"	36"	22"	36"	92"
MP70-4-8/10F	1400	28 1/2"	36"	22"	40"	89"
MP86-4-10F	1740	30 5/8"	39"	24"	43"	94"
MP103-4-10F	2060	32 5/8"	40"	24	46"	94"
MP110-4-10F	2200	34 5/8"	42	26	48"	98"
MP118-4-12F	2520	36 5/8"	46"	28"	48"	101"
MP140-4-12F	2660	38 5/8"	48"	30"	50"	101"
MP150-4-12F	2800	40 3/4"	50"	32"	54"	102"
MP176-4-14F	3000	42 3/4"	54"	35"	58"	107"
MP190-4-14F	3560	44 3/4"	54"	35"	58"	107"
MP205-4-16F	3800	46 3/4"	54"	35"	58"	107"
MP225-4-16F	4100	48 3/4"	54"	35"	58"	107"
MP245-4-16F	4500	50 3/4"	56"	36"	64"	112"

REFERENCE CHART LEGEND

A	OUTSIDE DIAMETER
B	FLOOR TO INLET
C	FLOOR TO OUTLET
D	FACE TO FACE
E	OVERALL HEIGHT

NOTE: Above dimensions are for Style A. For other options contact factory.



Configuration Options

- A – Side in/side out (standard)
- B – In-Line
- C – Side in/Bottom out
- D – Side in/Side out, Same Side

Finish Options

- (-) – Bead Blast (standard)
- (-) – Passivation (standard)
- EP1 – Electro polish Inside/Outside
- EP2 – Inside only
- EP3 – Outside only

O-Ring Options

- (-) – Buna-N (standard)
- ED – EPDM
- VI – Viton
- SI – Silicone
- TEV – Teflon encapsulated Viton
- TF – Teflon

Head Lift Options

- K1 – Mechanical head lift
- K2 – Hinge
- K3 – Hydraulic head lift

Accessories

- Direct Reading Gauge
- DP Gauge
- Safety Relief Valves
- Vent Valves
- Drain Valves
- Air Eliminator

Filter Configuration

- E1 – Double Open End
- E2 – DOE with Gasket Ends
- E3 – DOE with 1" Ext. Core
- E4 – SOE Flat End 222 Open End
- E5 – SOE Fin End 222 Open End
- E8 – SOE Plastic Spring Top 222
- E9 – SOE Plastic Spring Top

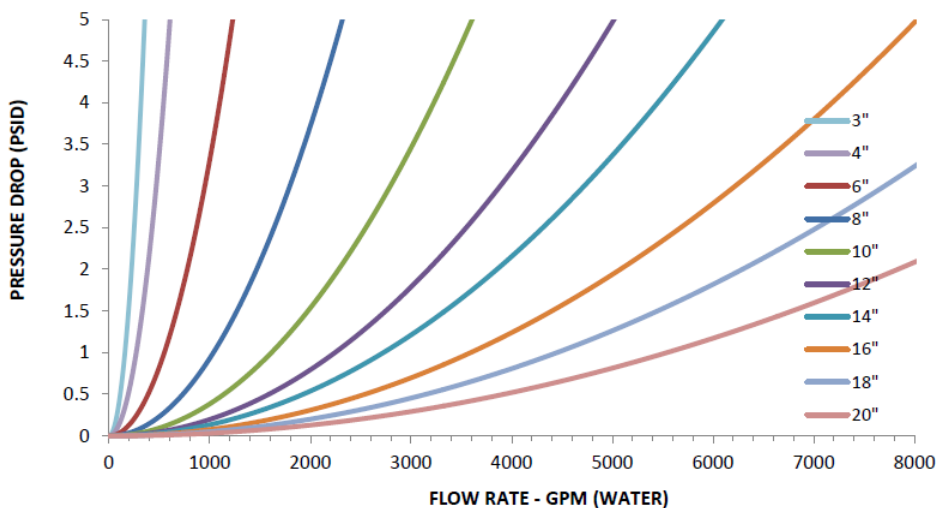
PRODUCT NOMENCLATURE

L4	MP	21	40	6F		-	-	-
MOC	MODEL	# OF FILTERS	LENGTH	CONNECTION TYPE	CONFIGURATION	FILTER CONFIG	FINISH	O-RING
L4 SS304	MP ASME CODE	SEE TABLE	30	SEE TABLE	(-) SIDE IN/SIDE OUT	SEE SIDE PANEL FOR OPTIONS		
L6 SS316			40		B INLINE			
					C SIDE IN/BOTTOM OUT			
					D SIDE IN/OUT – SAME SIDE			

MP SERIES

Membrane Protection Series
ASME Design
Universal

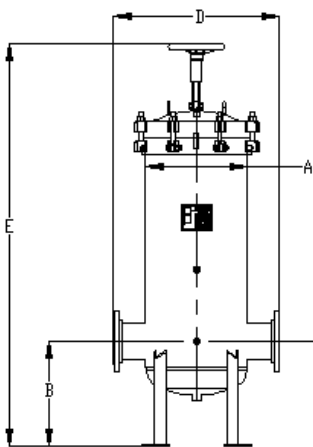
FLOW CHART



ADDITIONAL MODEL CONFIGURATIONS

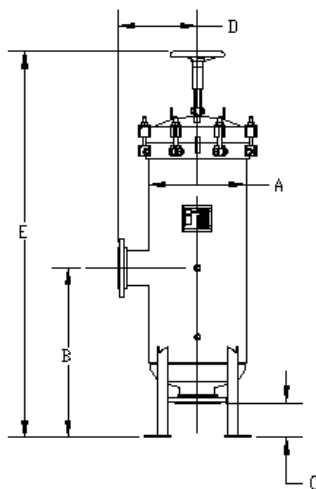
STYLE B

Inline



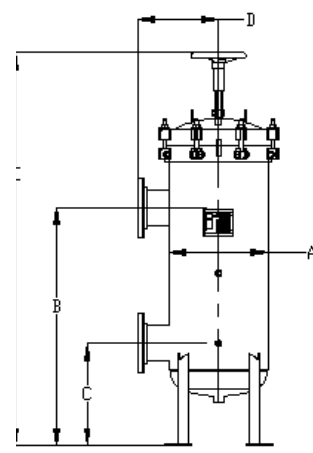
STYLE C

Side In/Bottom Out



STYLE D

Side In /Side Out Same Side



ISC Sales

ISCSales.com
ISCInfo@ISCSales.com

877-602-0010
972-964-2700

4421 Tradition Trail
Plano, TX 75093