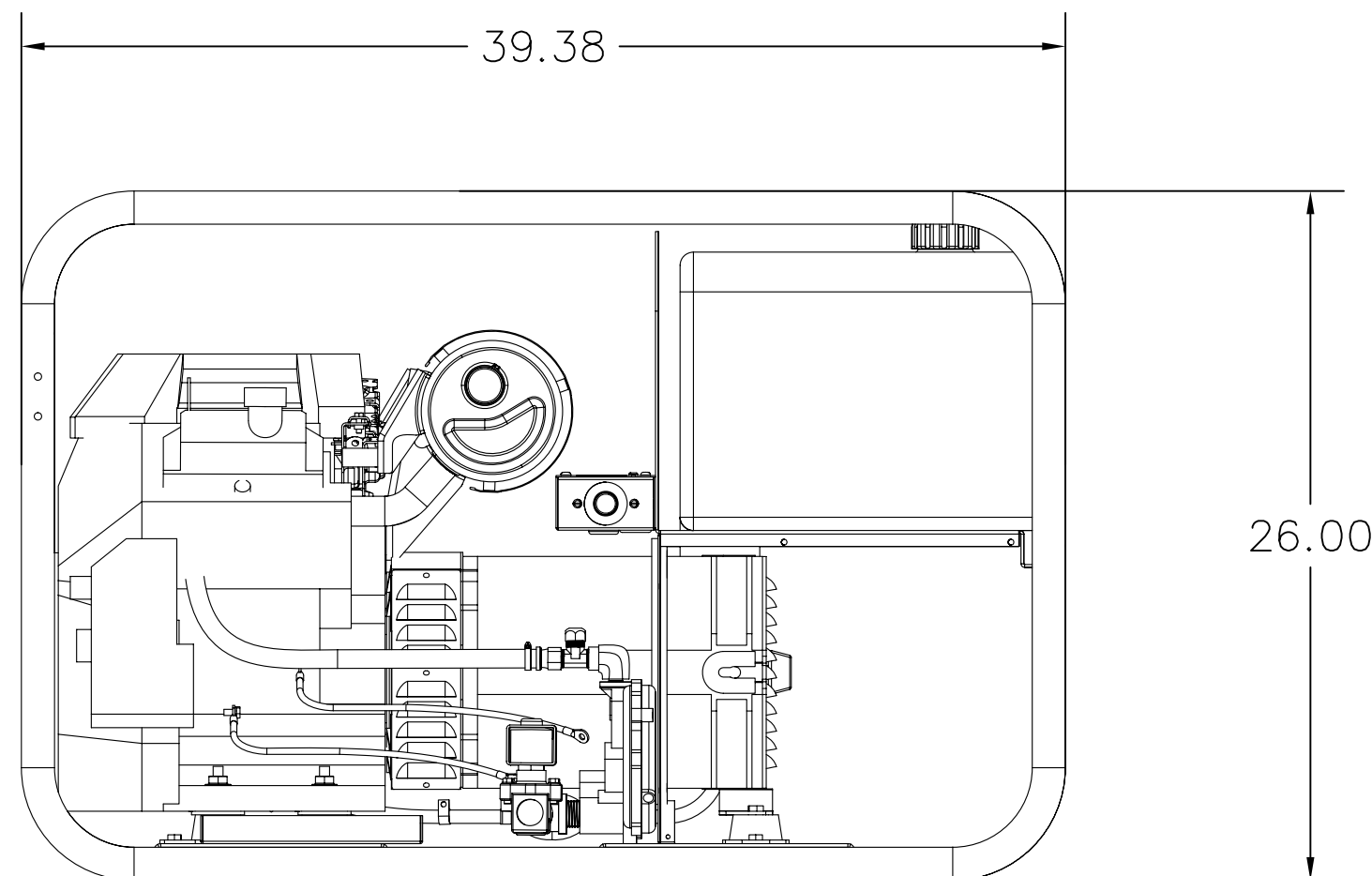
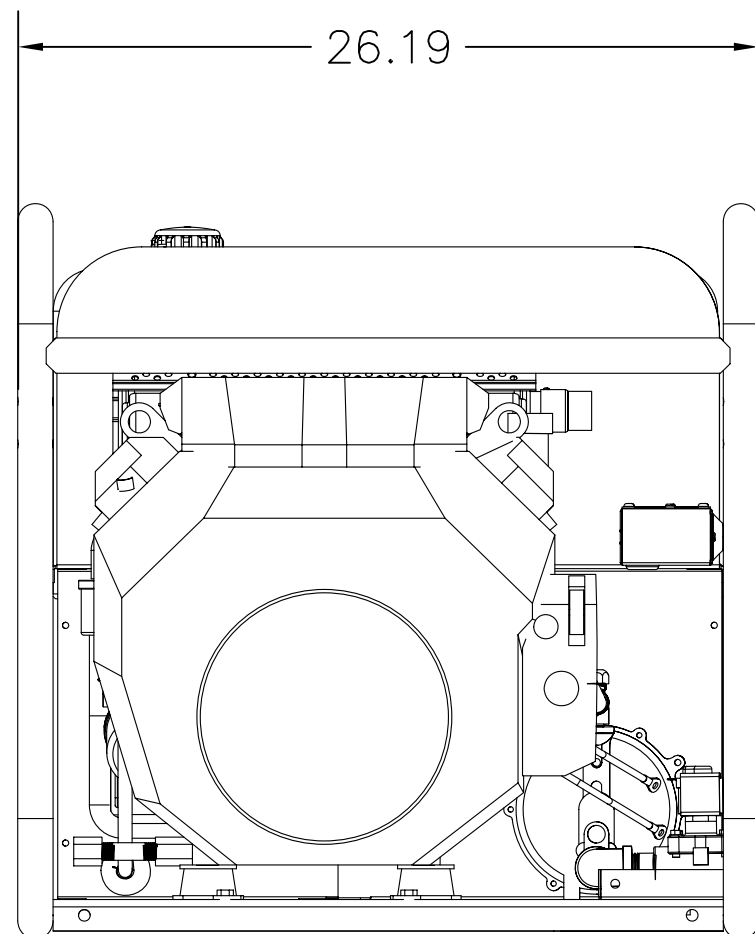


16612-900

REVISION RECORD

ISSUE	E.C.O. NO.	DESCRIPTION	DATE	BY	APPR.
1	---	ORIGINAL	8/6/12	DJR	



MODEL: HPS12000HE/E

UNLESS OTHERWISE SPECIFIED		MACHINED SURFACE TEXTURE		ALL DIMENSIONS GIVEN IN INCHES WORK TO DIMENSIONS - DO NOT SCALE -			
FRACTIONS ±		ANGULAR					
1. PLACE DEC. ± .1		± 1.5°					
2. PLACE DEC. ± .031							
3. PLACE DEC. ± .005							
THIS DRAWING CONTAINS PROPRIETARY INFORMATION BELONGING TO WINCO, UNAUTHORIZED USE IS PROHIBITED.	DRAWN BY	DATE	CH'KD BY	DATE	APP'D BY	DATE	SCALE
	DJR	8/6/12					
	MATERIAL: -----						
	FINISH	-----	TITLE				
	ASS'Y	-----	OUTLINE DRAWING				
MODEL	HPS12000HE/E		PART NO.		16612-900		