



# Fil-Trek



# HF SERIES

High Flow Filter Housing  
Single Round  
ASME Design



Water



Desalination



Chemicals



Electronics



Oil/Gas



Air/Gas



Inks/Paints/ Coatings



Power



Coolants



Pulp & Paper

## HF SERIES

*Single Round*

# High Flow Cartridge Filter Housings

- Multi-purpose industrial design and ASME "U" & "UM" code housings.
- Accepts single 40" & 60" High Flow cartridges.
- 150psig (10.3bar) @ 250°F(121.1°C) design pressure.
- Vessels available in carbon or stainless steel 304 or 316.
- Also available in LDX2101, C276, AL6XN, RA2205 & Monel 400.
- Swing bolt closure allows for quick element change out.
- Vessels will accept industry standard elements from:
  - 3M
- For drawings, flow charts, custom applications and filter cartridge information please visit [www.fil-trek.com](http://www.fil-trek.com).



ISC Sales

ISCsales.com  
ISCInfo@ISCsales.com

877-602-0010  
972-964-2700

4421 Tradition Trail  
Plano, TX 75093

# HF SERIES

High Flow Filter Housing  
Single Round  
ASME Design

### Housing Specifications

**Inlet/Outlet**  
2" Flange - 4" Flange

**Dirty Drain**  
1" NPT

**Clean Drain**  
1" NPT

**Vent**  
1/2" NPT

**Gauges**  
1/2" NPT

### Certifications

U  
UM  
CE  
NB  
CRN

# HF SERIES

Fil-Trek's HF series are ideal for use in industrial and commercial applications where flow rates vary between 175 and 265 GPM. Each model is available in carbon steel and stainless steel 304 and 316 and has a standard design pressure of 150psi (10 bar) @ 250°F.

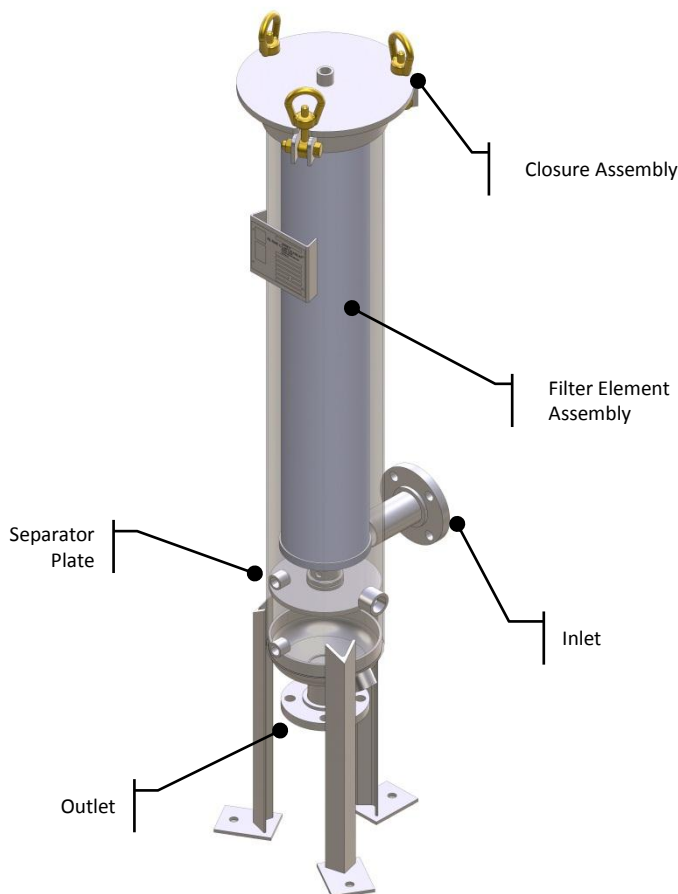
**Each model is standard with the following:**

- Swing-bolt closure
- 3" Flange
- Bead blast finish
- Buna-N gasket
- 2 gauge ports
- Fully welded construction throughout

### MODEL FLOW RATES

MODEL	# OF FILTERS	FLOW RATE-GPM	MAX INLET/OUTLET (IN)
HFV08-01-40	1	175	4"
HFV08-01-60	1	265	4"
HFS08-01-40	1	175	4"
HFS08-01-60	1	265	4"

For maximum efficiency/product life, the flow rates are based on water at 175gpm/40". Actual Flow rate is dependent on fluid viscosity, cartridge micron rating, contaminant and type of media.



ISC Sales

ISCSales.com  
ISCInfo@ISCSales.com

877-602-0010  
972-964-2700

4421 Tradition Trail  
Plano, TX 75093

MATERIAL OF CONSTRUCTION	MAX. OPERATING PRESSURE (PSI @250°F)	MAX. DESIGN TEMP
CARBON STEEL	150 psi (10.3bar)	300°F (150°C)
304 STAINLESS STEEL	150 psi (10.3bar)	300°F (150°C)
316 STAINLESS STEEL	150 psi (10.3bar)	300°F (150°C)

## MODEL DIMENSIONAL DETAILS

MODEL	SHIPPING WEIGHT (LBS)	A1	A2	B1	B2	C	D1	E1	E2
HFV08-01-40-3F	180	24"	-	22"	-	9"	-	67"	-
HFV08-01-60-3F									
HFS08-01-40-3F	230	-	11"	-	15 1/2"	9"	52"	-	40"
HFS08-01-60-3F									

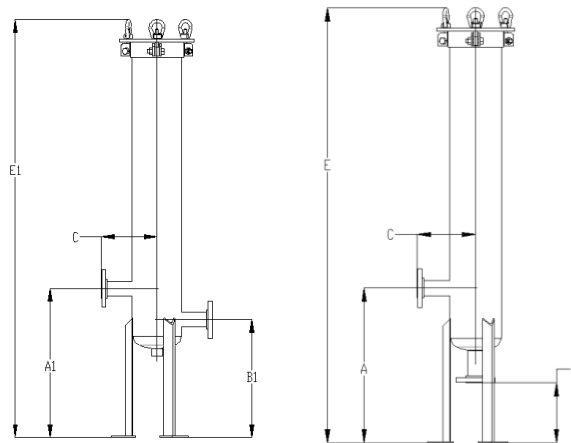
### REFERENCE CHART LEGEND

<b>A1</b>	FLOOR TO INLET (HFV)
<b>A2</b>	FLOOR TO INLET (HFS)
<b>B1</b>	FLOOR TO OUTLET (HFV)
<b>B2</b>	FLOOR TO OUTLET (HFS)
<b>C</b>	CENTER TO FACE
<b>D1</b>	O/A LENGTH (HFS)
<b>E1</b>	O/A HEIGHT (HFV)
<b>E2</b>	O/A HEIGHT (HFS)

\*Above dimensions are for 40" Element, Style C. For other options contact factory. \*\*For 20 & 60in element dimensions, refer to the chart below. \*\*\*Given dimensions are approximate only, for true dimensions contact factory.

## CONFIGURATION OPTIONS

### VERTICAL CONFIGURATION



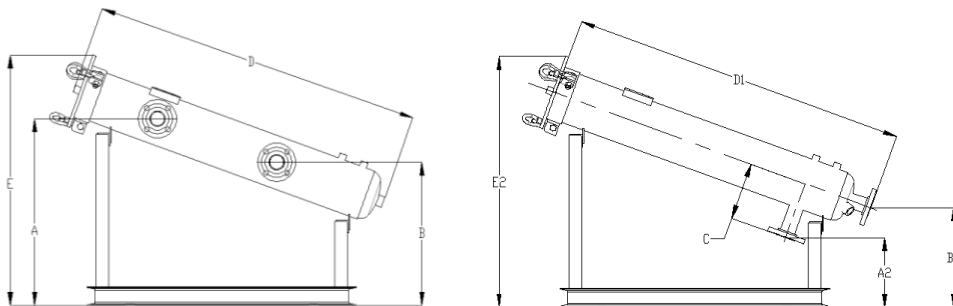
**STYLE A**

Side In/Side Out

**STYLE C**

Side In/Bottom Out

### HORIZONTAL CONFIGURATION



**STYLE A**

Side In/Side Out

**STYLE C**

Side In/Bottom Out

## PRODUCT NOMENCLATURE

S6	HF	V	08	001	40	4F	-	-	-	-
MATERIAL	MODEL	ORIENTATION	HOUSING DIAMETER	# OF CARTRIDGES	LENGTH	CONNECTION TYPE	HOUSING CONFIG.	FINISH	O-RING	HEAD LIFT
(-) - CARBON	HF	V - VERTICAL	SEE TABLE	SEE TABLE	40	SEE TABLE	SEE SIDE PANEL FOR OPTIONS			
S4 - SS304		S - SLOPED			60					
S6 - SS316										

### HOUSING OPTIONS

#### Configuration Options

- (-) – Side in/side out (standard)
- B – In-Line
- D – Side in/Side out, Same Side
- E – Top entry/Back out

#### Finish Options

- (-) – External paint “National Blue” (Standard for carbon steel housings)
- (-) – Bead Blast (standard for stainless steel 304 and 316)
- EP1 – Electro polish Inside/Outside
- EP2 – Inside only
- EP3 – Outside only
- PP – Passivation

#### O-Ring Options

- (-) – Buna-N (standard)
- ED – EPDM
- VI – Viton
- SI – Silicone
- TF – Teflon

#### Closure Assembly Options

- (-) – K1 – Head lift (standard)
- K2 – Hinge
- K3 – Hydraulic Jack Davit Side
- K4 – Hydraulic Jack Davit Top

#### Accessories

- Direct Reading Gauge
- DP Gauge
- Safety Relief Valves
- Vent Valves
- Drain Valves
- Air Eliminator

#### Other Options

- Stainless Steel bolting
- Passivation
- Electropolished, Inside/Out
- Skid Mounting
- Duplexing



ISC Sales

ISCSales.com  
ISCInfo@ISCSales.com

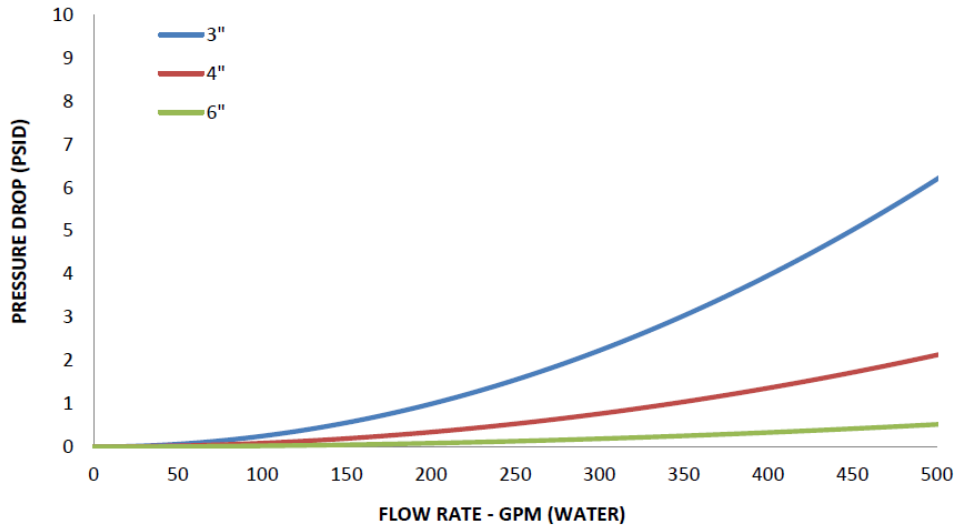
877-602-0010  
972-964-2700

4421 Tradition Trail  
Plano, TX 75093

# HF SERIES

High Flow Filter Housing  
Single Round  
ASME Design

## FLOW CHART



ISC Sales

ISCSales.com  
ISCInfo@ISCSales.com

877-602-0010  
972-964-2700

4421 Tradition Trail  
Plano, TX 75093