



Water



Desalination



Chemicals



Electronics



Oil/Gas



Air/Gas



Inks/Paints/ Coatings



Power



Coolants



Pulp & Paper



ISC Sales

ISCSales.com
ISCInfo@ISCSales.com877-602-0010
972-964-27004421 Tradition Trail
Plano, TX 75093

UFV SERIES

Ultra Flow Cartridge Filter Housings

Vertical

- Multi-purpose industrial ASME "U" & "UM" code and non-code housings.
- Accepts multiple 20", 40" & 60" cartridges.
- 150psig (10.3bar) @ 250°F(121.1°C) design pressure.
- Vessels available in carbon or stainless steel 304 or 316.
- Also available in LDX2101, C276, AL6XN, RA2205 & Monel 400.
- Swing bolt closure allows for quick element change out.
- Vessels will accept industry standard elements from:
 - ChemFlo
 - Pall
 - Graver
 - FTC
 - Parker
- For drawings, flow charts, custom applications and filter cartridge information please visit

UFV SERIES

Vertical
Ultra Flow Filter Housing
ASME Design/Industrial Design

HOUSING SPECIFICATIONS

Inlet/Outlet
3" Flange - 22" Flange

Dirty Drain
2" NPT

Clean Drain
2" NPT

Vent
1/2" NPT

Gauges
1/2" NPT

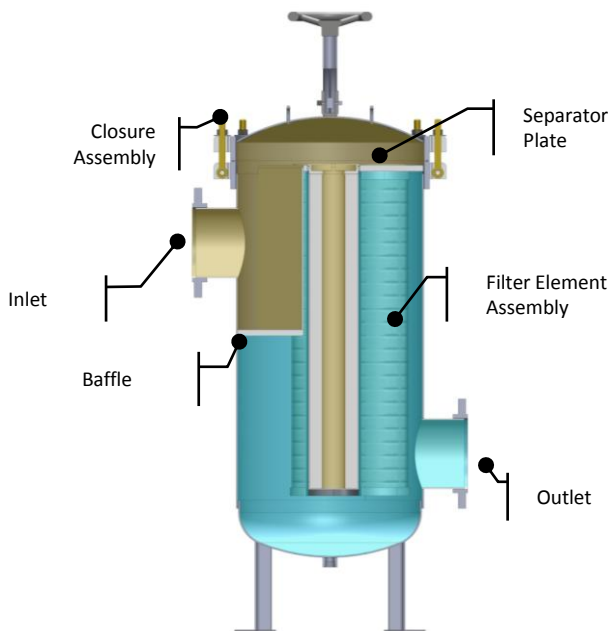
Certifications

U
UM
CE
NB
CRN

MODEL FLOW RATES

MODEL	# OF FILTERS	FLOW RATE-GPM	MAX INLET/OUTLET (IN)
UFV14	2	350	4"
UFV16	3	525	6"
UFV18	4	700	6"
UFV20	5	875	8"
UFV22	7	1225	10"
UFV24	8	1400	10"
UFV26	9	1575	12"
UFV28	11	1925	12"
UFV30	13	2275	12"
UFV32	15	2625	14"
UFV34	17	2975	14"
UFV36	19	3325	16"
UFV38	21	3675	16"
UFV40	25	4375	16"
UFV42	26	4550	18"
UFV44	29	5075	18"
UFV46	32	5600	20"
UFV48	34	5950	22"
UFV50	38	6650	22"

For maximum efficiency/product life, the flow rates are based on water at 175gpm/40". Actual Flow rate is dependent on fluid viscosity, cartridge micron rating, contaminant and type of media. Note: For maximum efficiency/product life, the recommended flow rate is, 45GPM/10"/cartridge.



ISC Sales

ISCSales.com
ISCInfo@ISCSales.com

877-602-0010
972-964-2700

4421 Tradition Trail
Plano, TX 75093

MATERIAL OF CONSTRUCTION	MAX. OPERATING PRESSURE (PSI @250°F)	MAX. DESIGN TEMP
CARBON STEEL	150 psi (10.3bar)	300°F (150°C)
304 STAINLESS STEEL	150 psi (10.3bar)	300°F (150°C)
316 STAINLESS STEEL	150 psi (10.3bar)	300°F (150°C)

MODEL DIMENSIONAL DETAILS

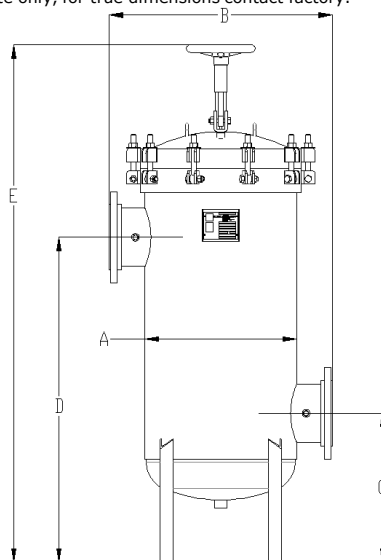
MODEL	SHIPPING WEIGHT (LBS)	A	B	C	D	E
UFV14	275	14 1/8"	23"	16"	46"	72"
UFV16	300	16 1/8"	27"	16"	46"	72"
UFV18	350	18 1/8"	30"	19"	48"	75"
UFV20	410	20 1/8"	32"	20"	48"	75"
UFV22	450	22 1/8"	33"	20"	48"	77"
UFV24	480	24 1/8"	35"	22"	48"	77"
UFV26	530	26 1/8"	36"	22"	48"	77"
UFV28	550	28 1/8"	40"	22"	52"	80"
UFV30	800	30 1/8"	43"	24"	52"	80"
UFV32	900	32 1/8"	46"	24"	54"	82"
UFV34	950	34 1/8"	46"	24"	56"	82"
UFV36	1000	36 1/8"	48"	28"	56"	82"
UFV38	1250	38 1/8"	50"	30"	56"	82"
UFV40	1500	40 1/8"	54"	35"	58"	84"
UFV42	1800	42 1/8"	58"	35"	58"	84"
UFV44	2000	44 1/8"	58"	35"	58"	86"
UFV46	2200	46 1/8"	58"	35"	60"	86"
UFV48	2500	48 1/8"	58"	35"	62"	88"
UFV50	3000	50 1/8"	64"	36"	62"	88"

*Above dimensions are for 40" Element, Style A. For other options contact factory. **For 20 & 60in element dimensions, refer to the chart below. ***Given dimensions are approximate only, for true dimensions contact factory.

REFERENCE CHART LEGEND

A	OUTSIDE DIAMETER
B	FLOOR TO INLET
C	FLOOR TO OUTLET
D	FACE TO FACE
E	OVERALL HEIGHT

STYLE A



PRODUCT NOMENCLATURE

S4	UFV	14	2	60	4F	A	-	-
MATERIAL	MODEL	HOUSING DIAMETER	# OF CARTRIDGES	LENGTH	CONNECTION TYPE	CONFIGURATION	FILTER CONFIG	O-RING
(-) CARBON	UFV	SEE TABLE	SEE TABLE	20	SEE TABLE	A (STD)	SEE SIDE PANEL FOR OPTIONS	
S4	ASME CODE			40		B		
SS304	NON ASME			60		C		
S6						D		
SS316						D		

NOTE: The UFV series in an ASME stamped housing. This vessel is also available in an industrial non-code design.

For non-code, add the prefix "E" to the UFV in the part number.

HOUSING OPTIONS

Configuration Options

- A – Side in/side out (standard)
- B – Inline
- C – Side in/Bottom out
- D – Side in/Side out, Same Side

O-Ring Options

- (-) – Buna-N (standard)
- ED – EPDM
- VI – Viton
- SI – Silicone
- TF – Teflon

Closure Assembly Options

- (-) K1 – Head lift (standard)
- K2 – Hinge
- K3 – Hydraulic Jack Davit Side
- K4 – Hydraulic Jack Davit Top

Accessories

- Direct Reading Gauge
- DP Gauge
- Safety Relief Valves
- Vent Valves
- Drain Valves
- Air Eliminator

Other Options

- Stainless Steel bolting
- Passivation
- Electropolished, Inside/Out
- Skid Mounting
- Duplexing



ISC Sales

ISCSales.com
ISCInfo@ISCSales.com

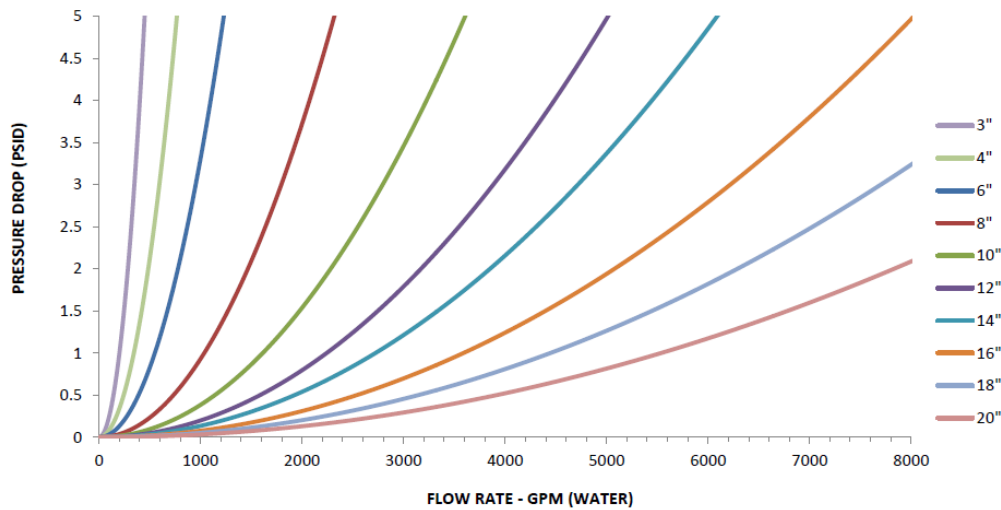
877-602-0010
972-964-2700

4421 Tradition Trail
Plano, TX 75093

UFV SERIES

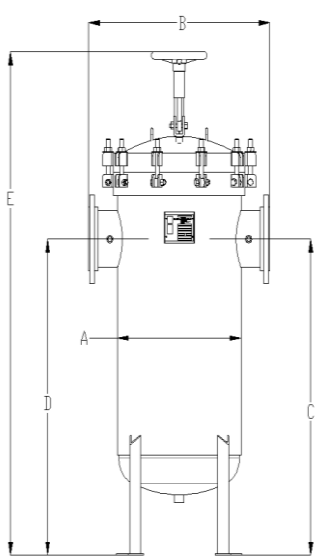
Vertical
Ultra Flow Filter Housing
ASME Design/Industrial Design

FLOW CHART

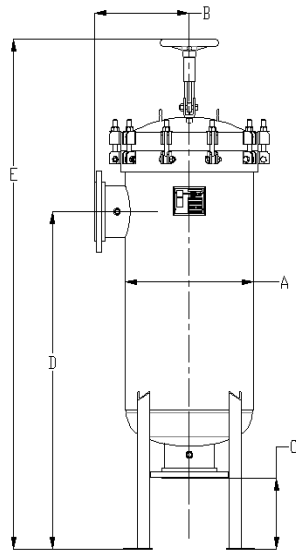


ADDITIONAL MODEL CONFIGURATIONS

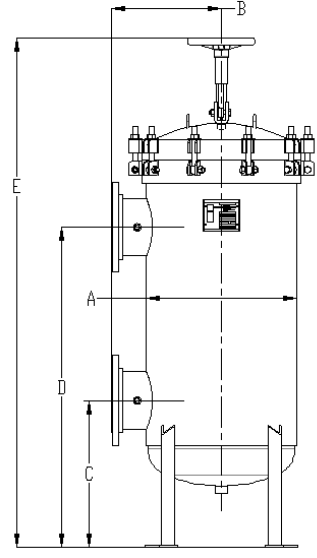
STYLE B
Inline



STYLE C
Side In/Bottom Out



STYLE D
Side In/Out Same Side



ISC Sales

ISCSales.com
ISCInfo@ISCSales.com

877-602-0010
972-964-2700

4421 Tradition Trail
Plano, TX 75093