



BLOW-OFF DRAIN VALVE ♦ TWO-PIECE BALL VALVE

WOG 600 ♦ BRONZE ♦ MALE x FEMALE THREADED ENDS

MODEL: BV 60-BZ
(CAST BRONZE)

SIZE RANGE: 1/4" ~ 2"



FEATURES

- ♦ **FULL PORT FLOW**
FULL PORT DESIGN OFFERS COMPLETE AND RAPID CLEANING OF STRAINER SCREEN WITH MINIMAL PRESSURE DROP.
- ♦ **SIMPLE OPERATION**
QUICK QUARTER TURN OPENS OR CLOSES VALVE. LOCKING HANDLE IS ALSO AVAILABLE.
- ♦ **DIRECT CONNECTION TO STRAINER**
MALE THREADED ENDS MOUNT DIRECTLY INTO STRAINER BLOW-OFF CONNECTION FOR CONVENIENT BLOW DOWN CLEANING.
- ♦ **FACTORY INSTALLATION AS BLOW-OFF VALVE**
BALL VALVE CAN BE PROFESSIONALLY INSTALLED TO A TITAN STRAINER AT OUR FACTORY, ENSURING QUALITY AND REDUCING SHIPPING AND LABOR COSTS.
- ♦ **RUGGED, HIGH QUALITY DESIGN**
THE BV 60 FEATURES A CHROMIUM PLATED BALL, REINFORCED-PTFE SEAT, AND BLOW-OUT PROOF STEM DESIGN.



CAN BE PROFESSIONALLY INSTALLED AT THE TITAN FACTORY!

TECHNICAL

PRESSURE/ TEMPERATURE RATING BRONZE ASTM B62
WOG (Non-shock): 600 PSI @ 100 °F Max Liquid: 80 PSI @ 400 °F Saturated Steam: 150 PSI @ 366 °F
SEAT MATERIAL TEMPERATURE RANGE
R-PTFE: -100 °F - 400 °F

1. The above listed temperatures are theoretical and may vary during actual operating conditions.

APPLICATIONS

SCREEN CLEANING: DURING NORMAL USE, THE STRAINER SCREEN WILL BECOME CLOGGED WITH FOREIGN MATTER CAUSING THE DIFFERENTIAL PRESSURE TO INCREASE. ONCE THE DIFFERENTIAL PRESSURE HAS REACHED AN UNACCEPTABLE VALUE, BLOW-DOWN CLEANING IS RECOMMENDED. IT IS NOT ADVISABLE TO ALLOW THE DIFFERENTIAL PRESSURE TO INCREASE BY 20 PSI AS THIS MAY CAUSE THE SCREEN TO FAIL AND POSSIBLY DAMAGE DOWNSTREAM EQUIPMENT. IF THE DIFFERENTIAL PRESSURE IS NOT RESTORED TO NORMAL PARAMETERS AFTER BLOW-DOWN CLEANING THEN THE SCREEN MUST BE REMOVED AND CLEANED OR REPLACED.

The above data represents common market and service applications. No representation or guarantee, expressed or implied, is given due to the numerous variations of concentrations, temperatures and flow conditions that may occur during actual service.

BLOW-OFF DRAIN VALVE BALL VALVE TYPE

BV 60-BZ (Cast Bronze)

Male x Female Ends Two-Piece Design

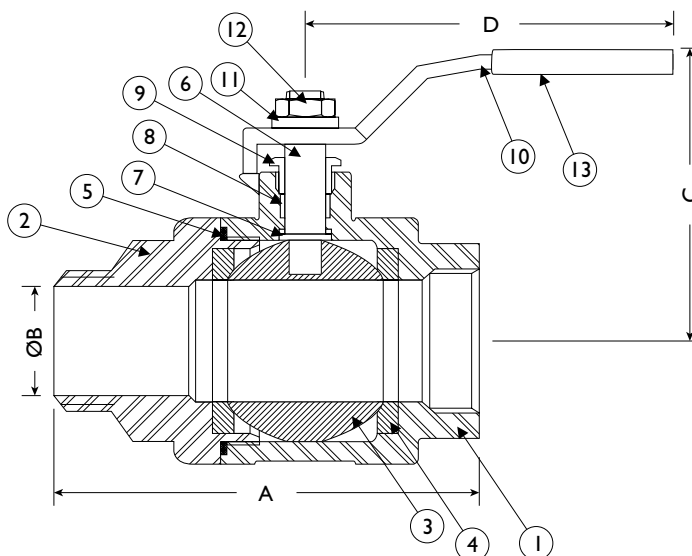
Working Pressure:
600 PSI

BILL OF MATERIALS ⁽¹⁾

No.	PART	BV 60-BZ
1	Body	Bronze, ASTM B62
2	Cap	Bronze, ASTM B62
3	Ball	Brass, Chrome Plated
4	Ball Seat ⁽²⁾	R-PTFE, 15% Glass Filled
5	Joint Gasket ⁽²⁾	PTFE
6	Stem	Brass
7	Thrust Washer ⁽²⁾	PTFE
8	Stem Packing ⁽²⁾	PTFE
9	Gland Nut	Brass
10	Handle	T-304 SS
11	Spring Washer	T-304 SS
12	Stem Nut	T-304 SS
13	Plastic Cover	Plastic

- 1. Equivalent or better materials may be substituted at the manufacturer's discretion.
- 2. Denotes recommended spare parts.

Illustrations are for representational purposes only. Please ask for certified drawings when required.



**MALE X FEMALE
THREADED ENDS**



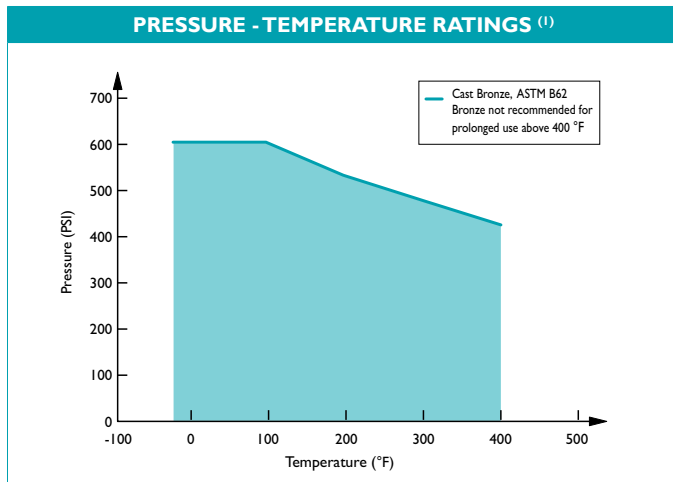
MALE END MOUNTS DIRECTLY IN THE STRAINER'S BLOW OFF CONNECTION

DIMENSIONS AND PERFORMANCE DATA ⁽¹⁾

SIZE	in	1/4	3/8	1/2	3/4	1	1 1/4	1 1/2	2
	mm	8	10	15	20	25	32	40	50
A DIMENSION FACETO FACE ⁽²⁾	in	1.75	1.75	2.17	2.64	3.15	C/F	4.32	4.78
	mm	44	44	55	67	80	C/F	110	121
ØB DIMENSION INSIDE DIAMETER	in	0.38	0.48	0.63	0.88	1.13	C/F	1.49	2.04
	mm	10	12	16	22	29	C/F	38	52
C DIMENSION HORIZONTAL CENTER LINE TO TOP OF HANDLE	in	1.7	1.7	1.7	2.12	2.25	C/F	2.825	3.25
	mm	43	43	43	54	57	C/F	72	83
D DIMENSION VERTICAL CENTER LINE TO END OF HANDLE	in	3.43	3.43	3.43	4.5	4.5	C/F	5.5	5.5
	mm	87	87	87	114	114	C/F	140	140
APPROXIMATE WEIGHT	lb	< 0.5	< 0.5	0.5	0.5	1	C/F	2.5	3.5
	kg	< 0.23	< 0.23	0.23	0.23	0.45	C/F	1.13	1.59
Flow Coefficient	C _v	18	18	18	42	74	130	210	380

- 1. Dimensions and weights are for reference only. When required, request certified drawings.
- 2. Face to face values have a tolerance of ±0.06 in (±2.0 mm) for sizes 10" and lower and a tolerance of ±0.12 in (±3.0 mm) for sizes 12" and larger.

PRESSURE - TEMPERATURE RATINGS ⁽¹⁾



- 1. This chart displays the pressure versus temperature ratings for the valve's body.

REFERENCED STANDARDS & CODES

CODE	DESCRIPTION
ASME/ANSI B16.15	Cast Bronze Threaded Fittings

PRESSURE - TEMPERATURE RATING

Operating Conditions	Range
WOG (Non-shock):	600 PSI @ 100 °F
Saturated Steam:	150 PSI @ 366 °F
Max Liquid:	80 PSI @ 400 °F

SEAT TEMPERATURE RATING

Seat Material	Range
Reinforced-PTFE	-100 °F - 400 °F