



WINGERT CLEAN TOWER

SEPARATOR SYSTEMS

Engineered for Performance

Grit, scale and troublesome solids are no longer a problem with the Wingert Clean Tower Separator System. Whether the application requires the removal of solids from a cooling tower basin or a recirculating loop, the Wingert Clean Tower Separator System is ready to go to work on even the toughest of applications.

With ten standard models to choose from and flow rates from 38-1200 GPM, these compact filtration systems come fully assembled, factory tested and ready for installation. All systems are designed with a 90 TDH pump, pre-strainer, separator, recovery tank and a NEMA 4 control panel.

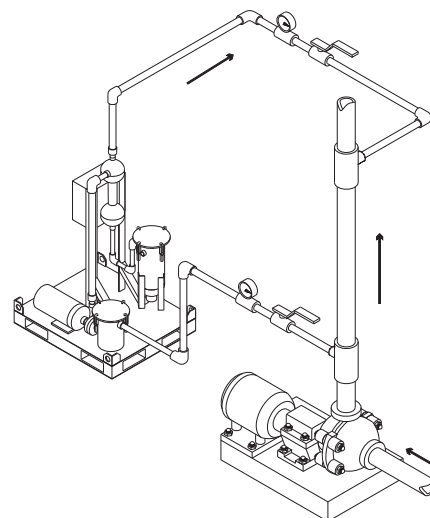


SIDE STREAM INSTALLATIONS

In addition to being the ideal solution for the removal of solids from a tower basin or sump, the Wingert Clean Tower Separator System may be installed in a side stream, as shown in the illustrations below. Side stream installations are typically sized for 10 - 20% of the main system flow rate (see side stream sizing chart).

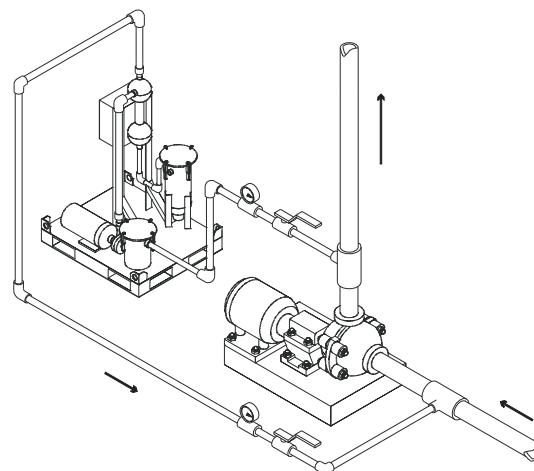
Side Stream Installation with Return to Main Line ▶

The preferred method for side stream cleaning is achieved by installing the separator system with return to the system flow line. This type of installation allows for maximum pressure drop through the separator. The diagram to the right depicts this type of installation.



Side Stream Installation with Return to Pump Suction ▶

Another acceptable installation is made by installing the separator across the recirculation pump. This installation allows only for the pressure drop that the separator system pump can provide. Although this is sufficient for separation, the greater the pressure drop - the better the separation. The diagram to the right depicts this type of installation.

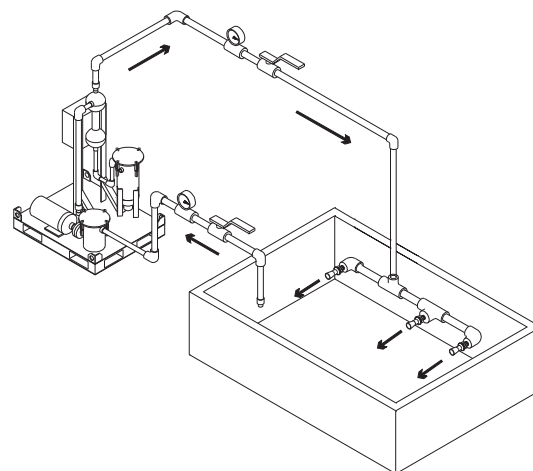


SIDE STREAM SIZING CHART

Model Number	Main System Flow (in gallons per minute)									
	380	650	1,000	1,600	2,000	2,800	4,500	5,500	8,500	12,000
CT-0038	█									
CT-0065	█	█								
CT-0100		█	█							
CT-0160			█	█						
CT-0200				█	█					
CT-0280					█	█				
CT-0450						█	█			
CT-0550							█	█		
CT-0850								█	█	
CT-1200									█	█

TOWER BASIN / SUMP INSTALLATIONS

Wingert Clean Tower Separator Systems, when coupled with Wingert Tower Basin Eductors (T.B.E.), are the ideal solution for the removal of solids in a tower basin or sump. As shown in the diagram to the right, the best way to achieve effective removal of solids is to plumb the discharge from the Wingert Clean Tower Separator System to the tower basin and then through the Wingert Tower Basin Eductors. The T.B.E.'s create a 5:1 flow ratio that allows the solids to be lifted up from the bottom of the basin/sump and toward the suction piping of the Wingert Clean Tower Separator System.



TOWER BASIN / SUMP SIZING CHART

Model Number	Basin Volume (in gallons)									
	190	325	500	800	1,000	1,400	2,250	2,750	4,250	6,000
CT-0038										
CT-0065										
CT-0100										
CT-0160										
CT-0200										
CT-0280										
CT-0450										
CT-0550										
CT-0850										
CT-1200										

TOWER BASIN EDUCTORS

Wingert Tower Basin Eductors maximize the system flow rate by creating a flow that is 5X the Wingert Clean Tower Separator System discharge flow rate. This allows the troublesome solids to become suspended and diverted toward the suction piping of the Wingert Clean Tower Separator System.



Model	Eductor Size	Eductor Input (@10 psi)	Eductor Output	Minimum Submergence
TBE-038	3/8"	9 GPM	45 GPM	12"
TBE-075	3/4"	13.5 GPM	67.5 GPM	18"
TBE-150	1 1/2"	33 GPM	165 GPM	30"

FEATURES

- Carbon steel separator has no moving parts or internal slots to clog
- End suction pump, designed with 90 TDH, TEFC motor, cast iron housing
- Carbon steel pre-strainer with internal 1/8" perforated stainless steel basket
- Carbon steel liquid recovery tank (internally epoxy coated) with stainless steel basket and 25 micron PE filter bag
- Service indicator package that detects loss of flow on the clean side of the recovery tank (no parts exposed to solids)
- NEMA 4 control panel with IEC starter and overload, main power switch, pump H-O-A selector switch, 120 volt control power, ready-to-use external auto and service hook-ups, CSA approved system
- Coated with water based enamel paint
- All carbon steel and brass piping
- Brass/bronze isolation valves (2" and below are ball type / 3" and up are butterfly type)
- Carbon steel skid, 1/4" thick deck plate, 4" channel side rails, lifting lugs and forklift slots
- 150 PSI maximum working pressure
- 150° F maximum working temperature

PROTECTS

- | | | | |
|-----------------|-------------------|------------------|------------------------|
| ■ Pumps & Seals | ■ Heat Exchangers | ■ Probes | ■ Filtration Equipment |
| ■ Spray Nozzles | ■ Impellers | ■ Water Meters | ■ Cutting Fluid |
| ■ Valves | ■ Pressure Tanks | ■ Small Orifices | ■ Cooling Fluid |

APPLICATIONS

- | | |
|--------------------------------------|-----------------------------------|
| ■ Cooling Tower Basins and Loops | ■ Fruit / Vegetable Wash Circuits |
| ■ Sumps | ■ Ground Water Systems |
| ■ Commercial / Industrial Wastewater | ■ Parts Washing Tanks |
| ■ Coolant Loops | ■ Solvent Recovery |
| ■ Car Wash Reclamation | ■ Process Tanks |

