

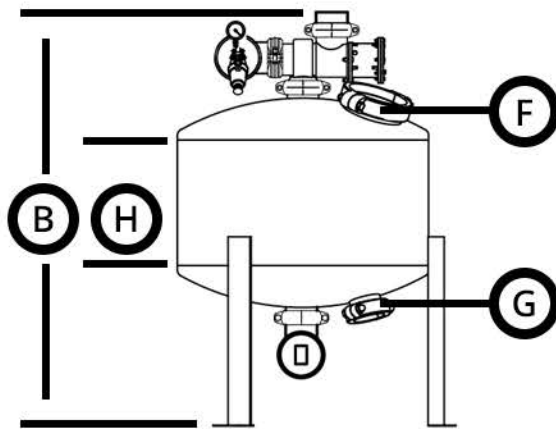
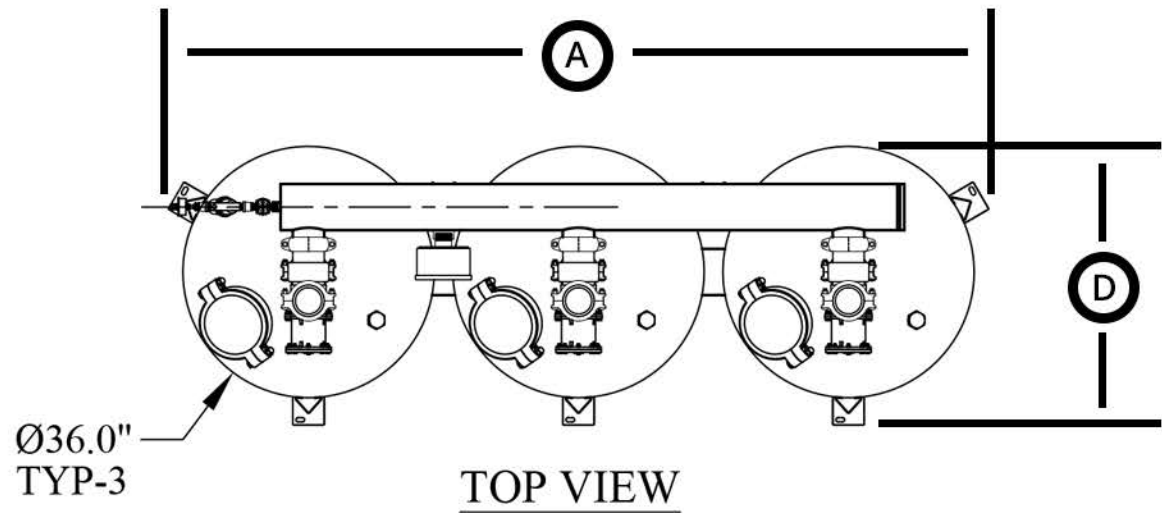
# SSM-SERIES

[ IN-LINE ]

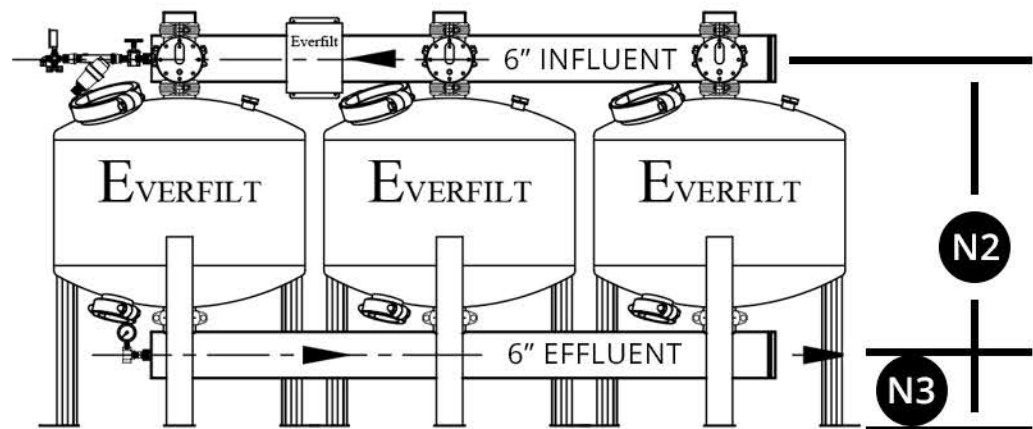
SSM36-3A

IN-LINE

REFERENCE MODEL SHOWN



SIDE VIEW



FRONT VIEW

MODEL	A	B	C	D	E	F	G	H	N1	N2	N3
SSM18-2A	53"	51.2"	NA	21"	NA	4"	3"	18"	NA	3"D-45"	3"D-9.8"
SSM18-3A	75"	51.2"	NA	21"	NA	4"	3"	18"	NA	3"D-45"	3"D-9.8"
SSM24-2A	62"	54.1"	NA	27"	NA	5"	3"	18"	NA	4"D-48.1"	4"D-9.2"
SSM24-3A	90"	54.1"	NA	27"	NA	5"	3"	18"	NA	4"D-48.1"	4"D-9.2"
SSM30-2A	70"	55.5"	NA	33"	NA	5"	4"	18"	NA	4"D-49.5"	4"D-9.3"
SSM30-3A	104"	55.5"	NA	33"	NA	5"	4"	18"	NA	4"D-49.5"	4"D-9.3"
SSM36-2A	79"	59.3"	NA	40"	NA	8"	4"	18"	NA	6"D-52.8"	6"D-10.2"
SSM36-3A	117.5"	59.3"	NA	40"	NA	8"	4"	18"	NA	6"D-52.8"	6"D-10.2"
SSM48-2A	104"	65"	NA	52"	NA	8"	4"	18"	NA	6"D-59"	6"D-10.2"
SSM48-3A	158.4"	65"	NA	52"	NA	8"	4"	18"	NA	6"D-59"	6"D-10.2"
SSM48-4A	212.4"	65"	NA	52"	NA	8"	4"	18"	NA	8"D-59"	8"D-9.2"
*SSM48-4A	212.4"	65.3"	NA	52"	NA	8"	4"	18"	NA	*10"D-58.8"	*10"D-8.2"
SSM48-5A	266.4"	65"	NA	52"	NA	8"	4"	18"	NA	8"D-59"	8"D-9.2"
*SSM48-5A	266.4"	65.3"	NA	52"	NA	8"	4"	18"	NA	*10"D-58.5"	*10"D-8.2"
SSM48-6A	320.4"	65"	NA	52"	NA	8"	4"	18"	NA	8"D-59"	8"D-9.2"
*SSM48-6A	320.4"	65.3"	NA	52"	NA	8"	4"	18"	NA	*10"D-58.8"	*10"D-8.2"
SSM48-7A	374.4"	65.3"	NA	52"	NA	8"	4"	18"	NA	12"D-58.8"	12"D-7.2"
SSM48-8A	428.4"	65.3"	NA	52"	NA	8"	4"	18"	NA	12"D-58.8"	12"D-7.2"
SSM48-9A	482.4"	65.3"	NA	52"	NA	8"	4"	18"	NA	12"D-58.8"	12"D-7.2"
SSM48-10A	536.4"	65.3"	NA	52"	NA	8"	4"	18"	NA	12"D-58.8"	12"D-7.2"

## LEGEND

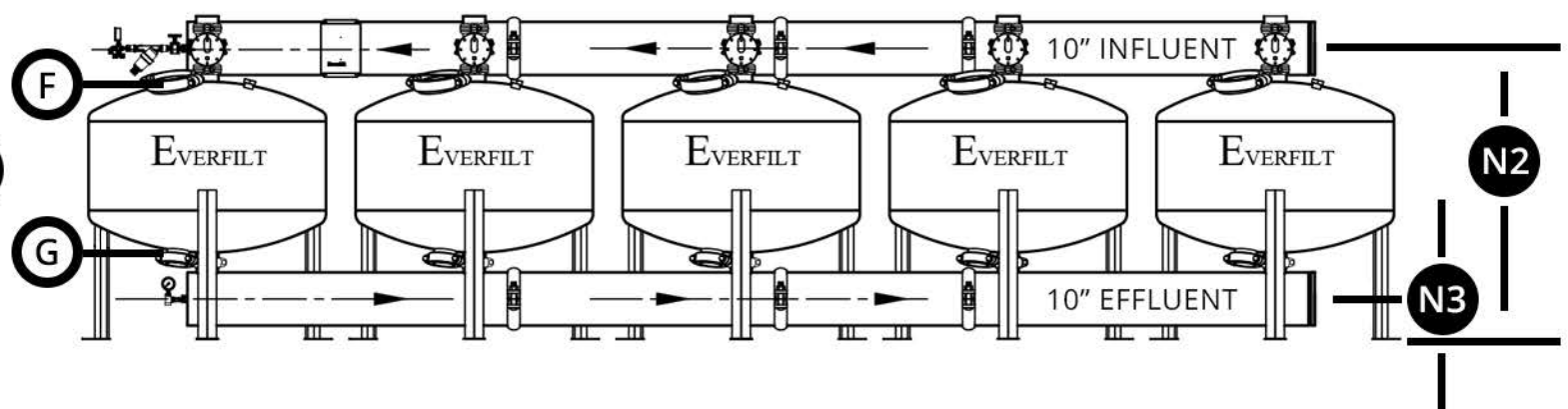
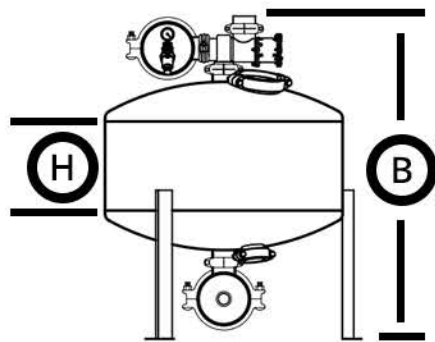
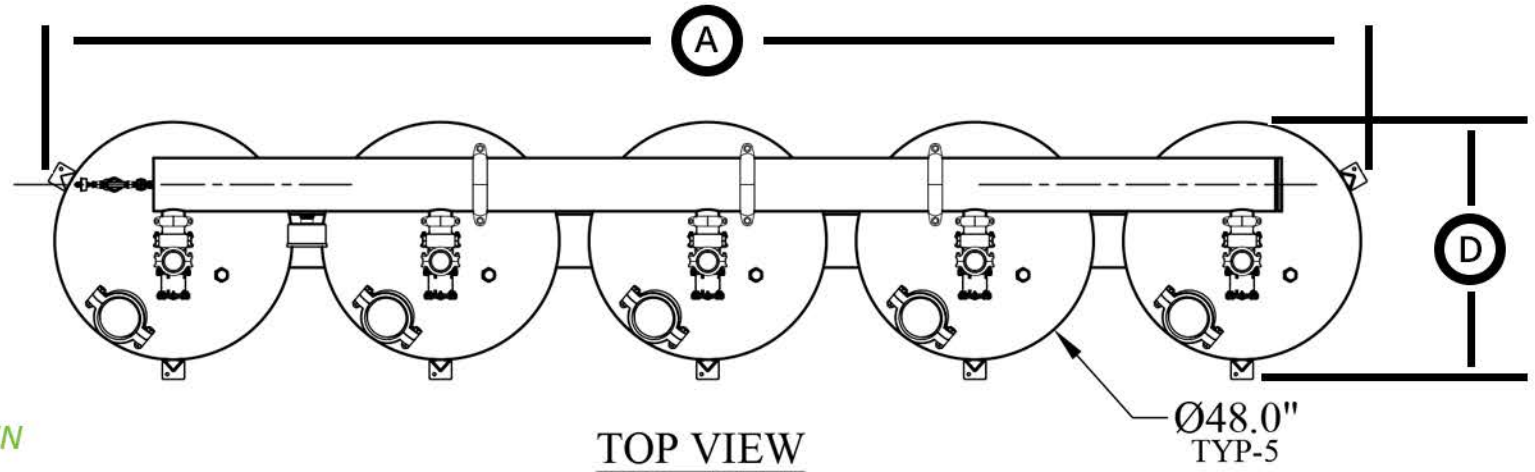
- A - TOTAL LENGTH
- B - TOTAL CLEARANCE
- C - SKID LENGTH
- D - SKID WIDTH
- E - MANWAY
- F - FILL PORT
- G - DRAIN PORT
- H - JACKET HEIGHT
- N1 - ELEVATION BACKWASH
- N2 - ELEVATION INFLUENT
- N3 - ELEVATION EFFLUENT



# SSM-SERIES

[ IN-LINE ]

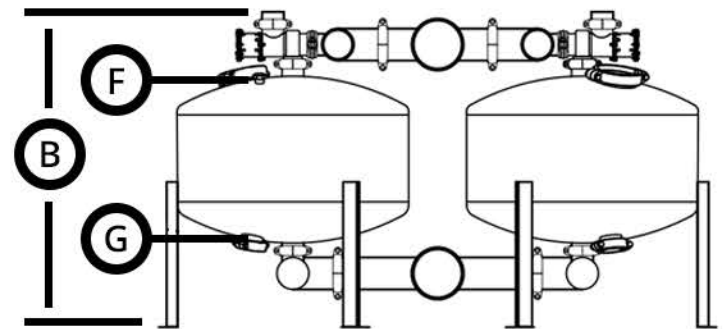
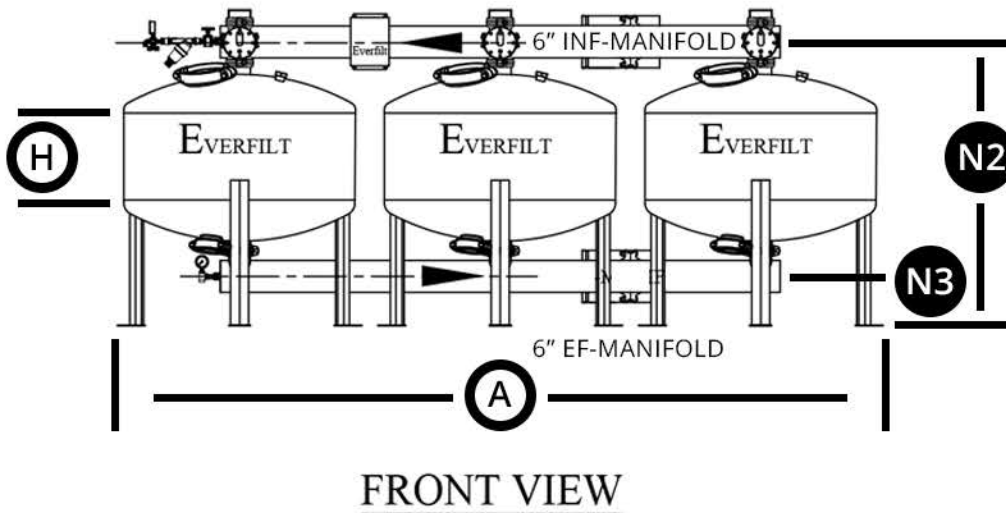
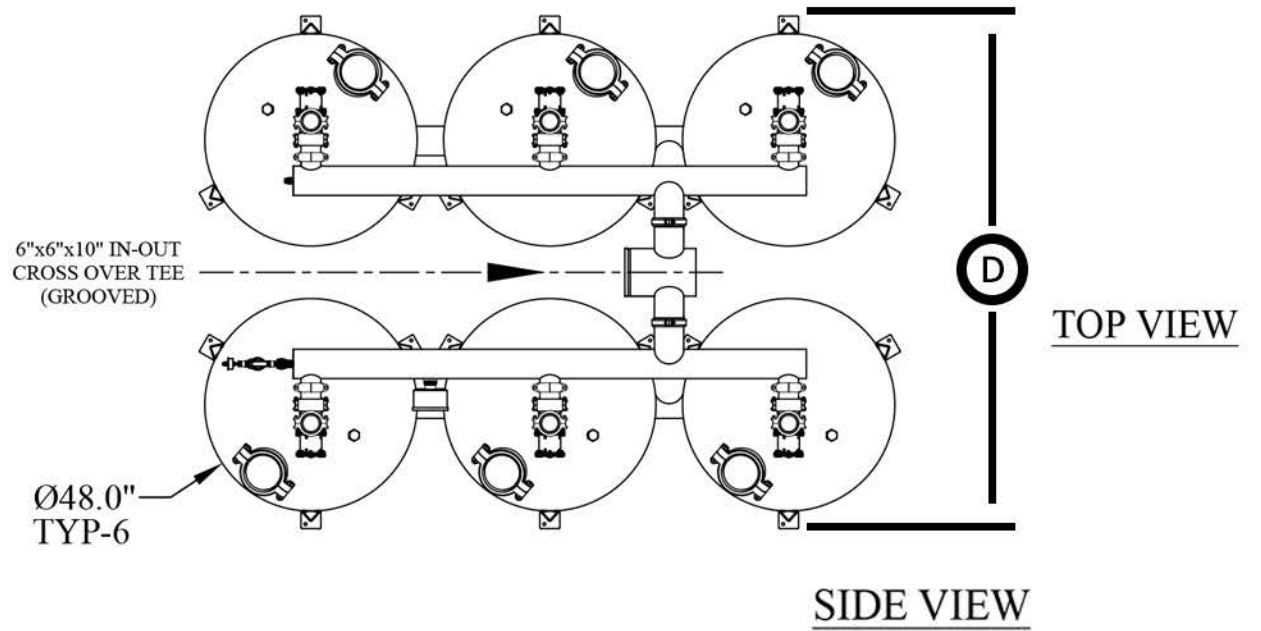
SSM48-5A  
IN-LINE  
REFERENCE MODEL SHOWN



# SSM-SERIES

[ H-PATTERN ]

SSM48-6A  
H-PATTERN  
REFERENCE MODEL SHOWN



MODEL	A	B	C	D	E	F	G	H	N1	N2	N3
SSM48-6A	158.6"	65.3"	NA	115.8"	NA	8"	4"	18"	NA	10"D-58.8"	10"D-10.2"
SSM48-8A	220.6"	65.3"	NA	130.8"	NA	8"	4"	18"	NA	12"D-58.8"	12"D-10.2"
SSM48-9A	274.6"	65.3"	NA	130.8"	NA	8"	4"	18"	NA	12"D-58.8"	12"D-10.2"
SSM48-10A	274.6"	65.3"	NA	130.8"	NA	8"	4"	18"	NA	12"D-58.8"	12"D-10.2"
SSM48-10A*	274.6"	65.3"	NA	130.8"	NA	8"	4"	18"	NA	*14"D-58.8"	*14"D-10.2"

## LEGEND

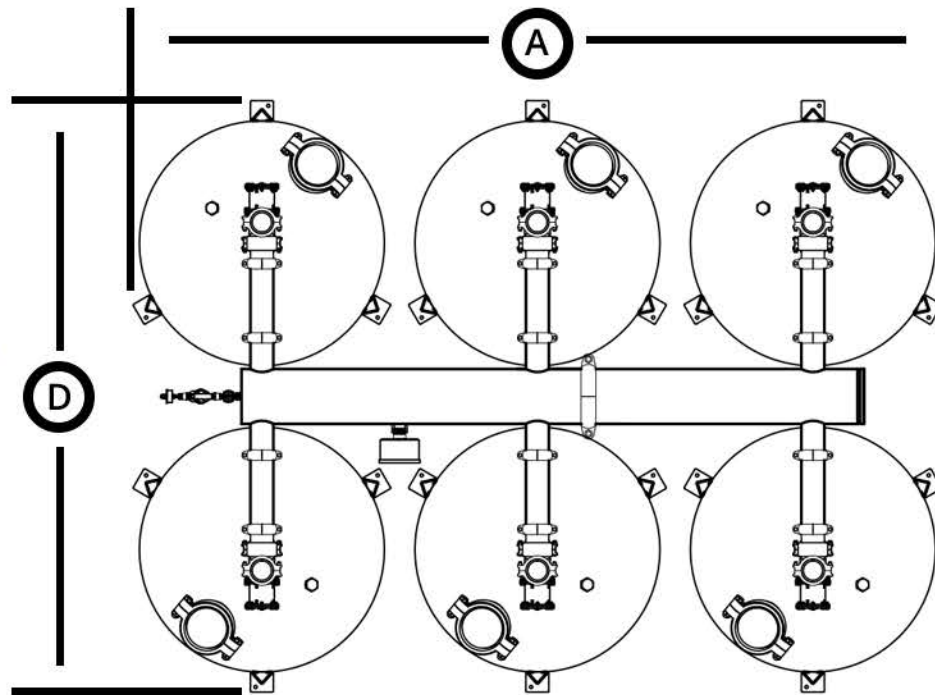
- A - TOTAL LENGTH
- B - TOTAL CLEARANCE
- C - SKID LENGTH
- D - SKID WIDTH
- E - MANWAY
- F - FILL PORT
- G - DRAIN PORT
- H - JACKET HEIGHT
- N1 - ELEVATION BACKWASH
- N2 - ELEVATION INFLUENT
- N3 - ELEVATION EFFLUENT



# SSM-SERIES

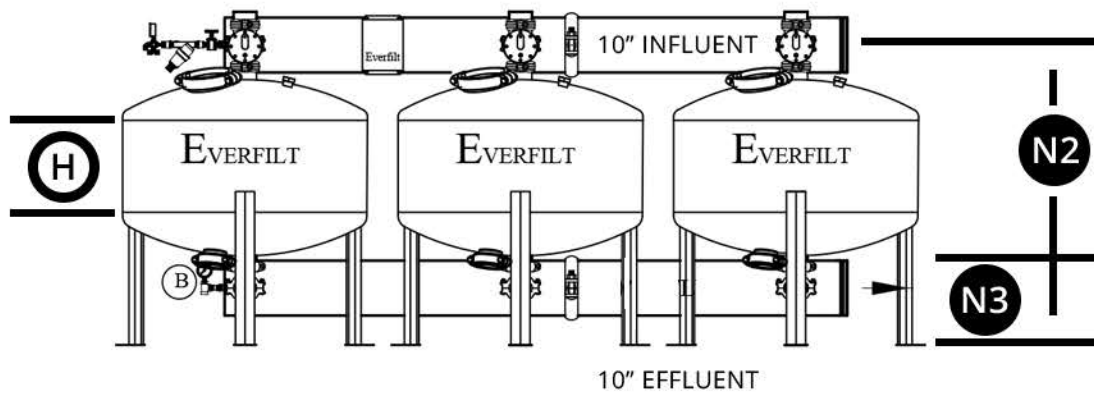
[ CLUSTER ]

SSM48-6A  
CLUSTER  
REFERENCE MODEL SHOWN

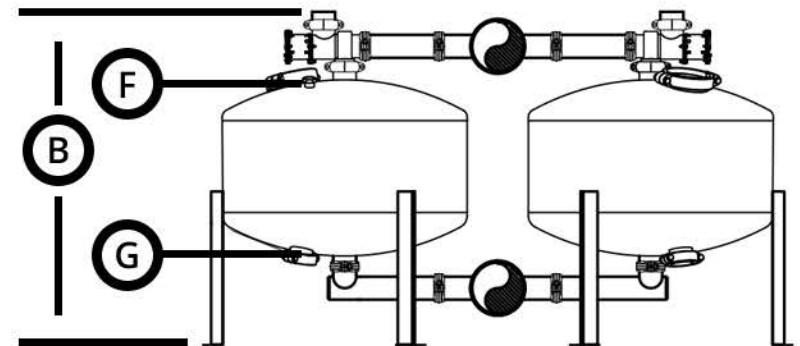


TOP VIEW

SIDE VIEW



FRONT VIEW



MODEL	A	B	C	D	E	F	G	H	N1	N2	N3
SSM48-4A	104.4"	65.3"	NA	115.8"	NA	8"	4"	18"	NA	10"D-58.8"	10"D-11.2"
SSM48-5A	158.4"	65.3"	NA	115.8"	NA	8"	4"	18"	NA	10"D-58.8"	10"D-11.2"
SSM48-6A	158.4"	65.3"	NA	115.8"	NA	8"	4"	18"	NA	10"D-58.8"	10"D-11.2"
SSM48-8A	212.4"	65.3"	NA	117.8"	NA	8"	4"	18"	NA	12"D-58.8"	12"D-11.2"

## LEGEND

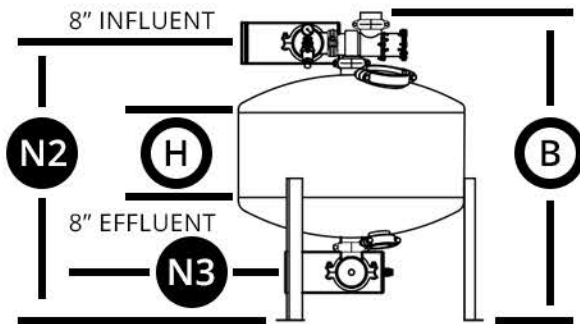
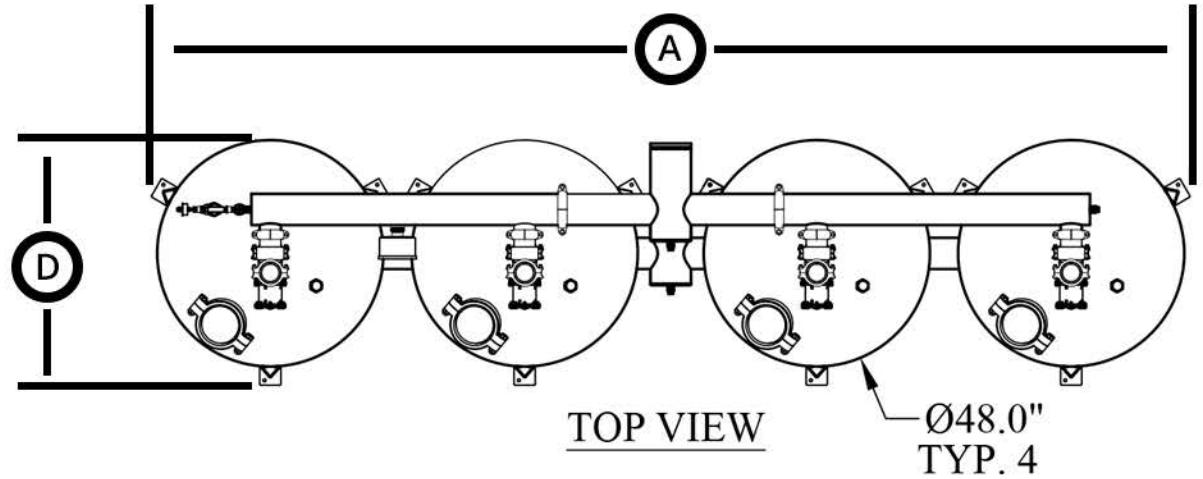
- A - TOTAL LENGTH
- B - TOTAL CLEARANCE
- C - SKID LENGTH
- D - SKID WIDTH
- E - MANWAY
- F - FILL PORT
- G - DRAIN PORT
- H - JACKET HEIGHT
- N1 - ELEVATION BACKWASH
- N2 - ELEVATION INFLUENT
- N3 - ELEVATION EFFLUENT



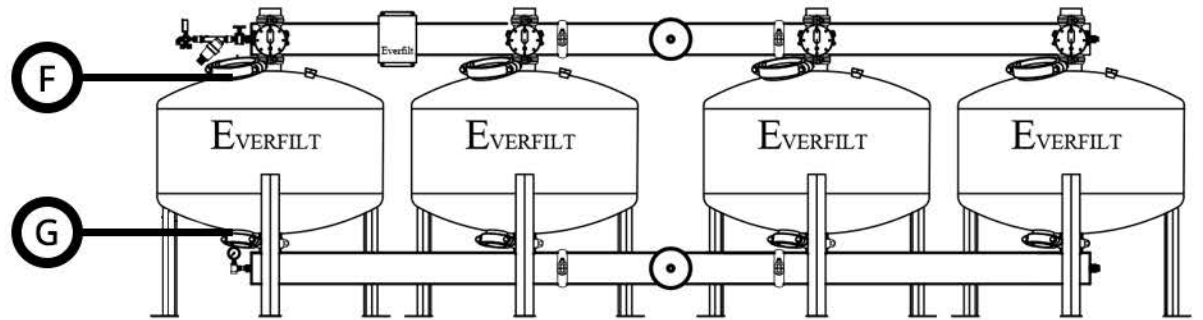
# SSM-SERIES

[ CENTER FEED ]

SSM48-6A  
CENTER FEED  
REFERENCE MODEL SHOWN



SIDE VIEW



FRONT VIEW



MODEL	A	B	C	D	E	F	G	H	N1	N2	N3
SSM48-3A	158.4"	65"	NA	51.9"	NA	8"	4"	18"	NA	6"D-59"	6"D-10.2"
SSM48-4A	220.4"	65.3"	NA	51.9"	NA	8"	4"	18"	NA	8"D-58.8"	8"D-10.2"
SSM48-6A	328.6"	65.3"	NA	51.9"	NA	8"	4"	18"	NA	10"D-58.8"	10"D-10.2"
SSM48-8A	436.4"	65.8"	NA	51.9"	NA	8"	4"	18"	NA	12"D-58.8"	12"D-9.2"
SSM48-12A	652.4"	70.9"	NA	51.9"	NA	8"	4"	18"	NA	14"D-62.9"	14"D-13.3"

## LEGEND

- A - TOTAL LENGTH
- B - TOTAL CLEARANCE
- C - SKID LENGTH
- D - SKID WIDTH
- E - MANWAY
- F - FILL PORT
- G - DRAIN PORT
- H - JACKET HEIGHT
- N1 - ELEVATION BACKWASH
- N2 - ELEVATION INFLUENT
- N3 - ELEVATION EFFLUENT

